

Ground Terminal Block

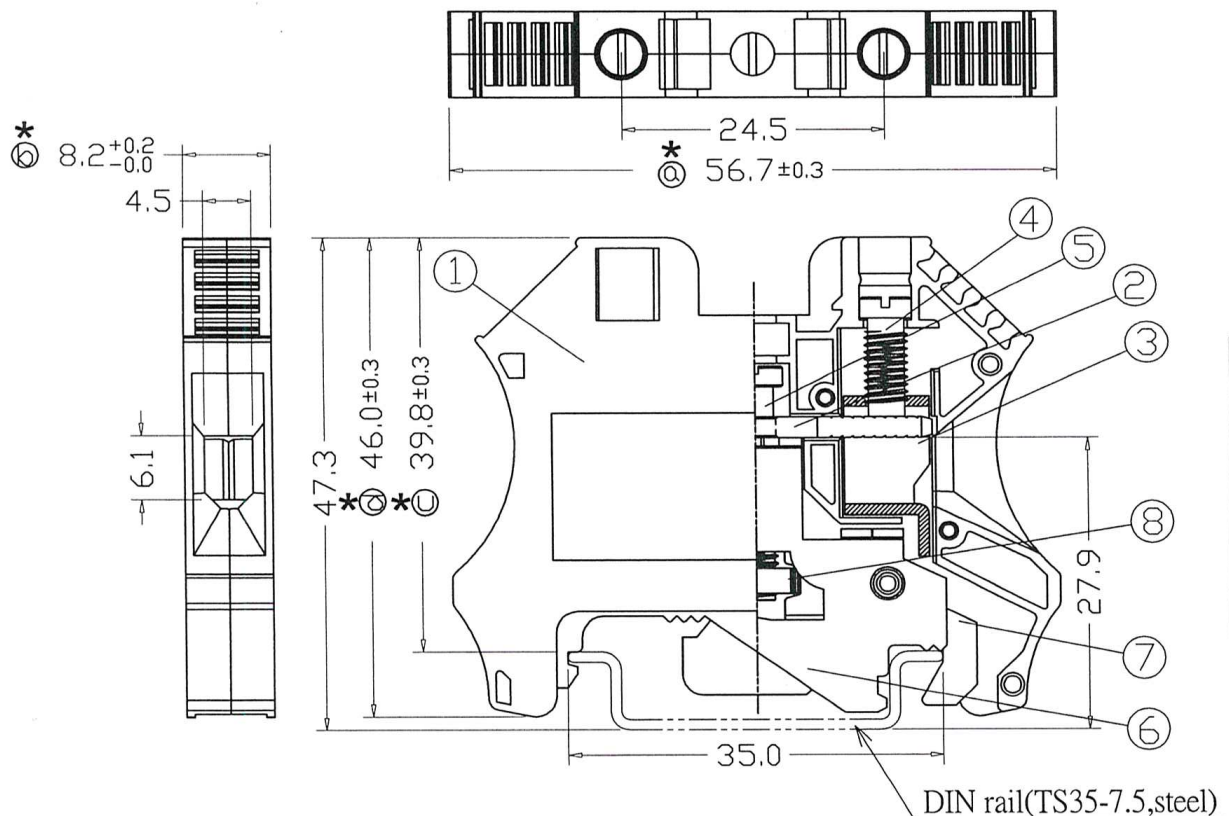


Specification	CUL	IEC
Solid Wire	26 ... 8 AWG	0.5 ... 6 mm ²
Stranded Wire	26 ... 8 AWG	0.5 ... 6 mm ²
Impulse Withstand Voltage	8 kV	
Torque (Terminal Screw)	1.8 Nm	
Torque (Mounting Screw)	1.03 ... 1.38 Nm	
Terminal Screw	M4 (Slotted Head)	
Mounting Screw	M4 (Slotted Head)	
Wire Strip Length	10 ... 12 mm	
Mounting Din-Rail	TS35-7.5/TS35-15/TS32 (Steel)	
Insulation Colour	Green / Yellow	

Material Specification

1 - Insulating Body	PA66 (UL94 V-0)
2 - Terminal	Brass, Tin Plated
3 - Cage Clamp	Steel, Zinc Finish
4 - Terminal Screw	Steel M4, Zinc Finish
5 - Mounting Screw	Steel M4, Zinc Finish
6 - Contact Piece of 1	Brass, Tin Plated
7 - Contact Piece of 2	Steel, Zinc Finish
8 - Nut	Steel, Zinc Finish

Drawing



Art. Nr.
RND 205-01333

Accessories



End Bracket
RND 205-01335



End Plate
RND 205-01336



Slotted VDE Screwdriver
RND 550-00389



Plug-In Bridges
RND 205-01338 - 2 Poles
RND 205-01339 - 3 Poles
RND 205-01340 - 4 Poles



Marking Tag Numbers
RND 205-01341
RND 205-01342



Top Hat DIN-Rails
RND 465-00764
RND 465-00765
RND 465-00766