

M12 Moulded Cable Connector, Angled



Features

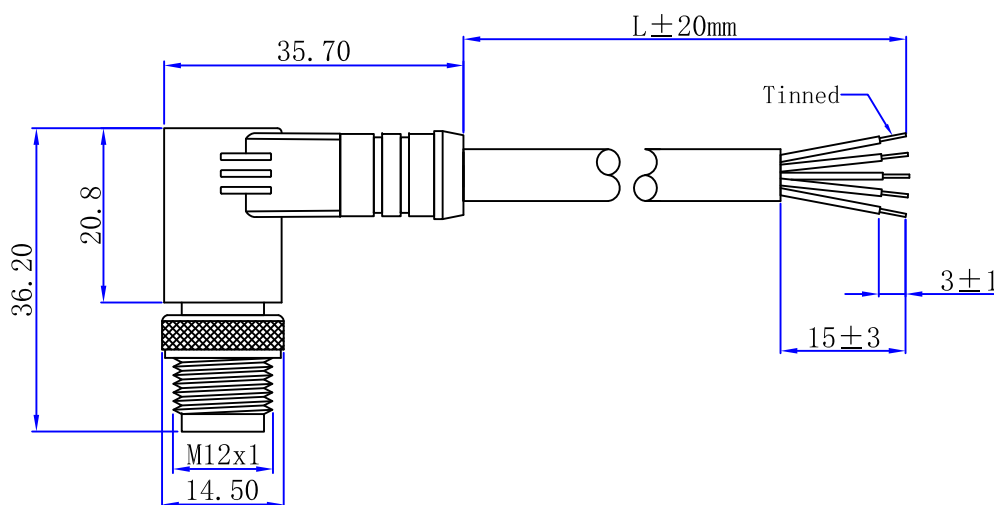
- Superior quality for reliable connections in harsh industrial conditions and climatic environments
- Anti-vibration locking screw design
- RoHS compliant



Specification

Protection Rating	IP67
Wire Connection Mode	Soldering
Operating Temperature Min.	-25 °C
Operating Temperature Max.	85 °C
Connector Size	M12
Gender	Plug

Drawing



Article Nr.	Number of Pins	Rated Voltage	Rated Current	L	Withstanding Voltage	Cable Specifications
RND 205-01228	3	250 V	4 A	2 m	1.5 kVAC / 1 min	3C*22 AWG, 0.34 mm ² , UL2464
RND 205-01229	4	250 V	4 A	2 m	1.5 kVAC / 1 min	4C*22 AWG, 0.34 mm ² , UL2464
RND 205-01230	5	60 V	4 A	2 m	1.12 kVAC / 1 min	5C*22 AWG, 0.34 mm ² , UL2464
RND 205-01231	8	30 V	2 A	2 m	500 VAC / 1 min	8C*24 AWG, 0.25 mm ² , UL2464
RND 205-01232	3	250 V	4 A	5 m	1.5 kVAC / 1 min	3C*22 AWG, 0.34 mm ² , UL2464
RND 205-01233	4	250 V	4 A	5 m	1.5 kVAC / 1 min	4C*22 AWG, 0.34 mm ² , UL2464
RND 205-01234	5	60 V	4 A	5 m	1.12 kVAC / 1 min	5C*22 AWG, 0.34 mm ² , UL2464
RND 205-01235	8	30 V	2 A	5 m	500 VAC / 1 min	8C*24 AWG, 0.25 mm ² , UL2464

Pin Out

3Pin A Coding		4Pin A Coding		5Pin A Coding		8Pin A Coding	
Pin Assignment Front View		Pin Assignment Front View		Pin Assignment Front View		Pin Assignment Front View	
						8	Red
						7	Blue
						6	Pink
				5	Gray	5	Gray
4	Black	4	Black	4	Black	4	Yellow
3	Blue	3	Blue	3	Blue	3	Green
		2	White	2	White	2	Brown
1	Brown	1	Brown	1	Brown	1	White
Pin	Wire Color	Pin	Wire Color	Pin	Wire Color	Pin	Wire Color
Pin Out		Pin Out		Pin Out		Pin Out	

