

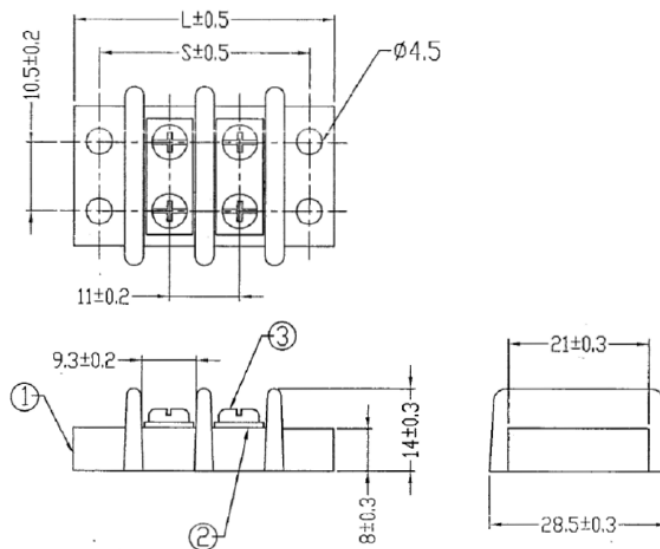
Specification

† k	300 † AC
# k	25 °
‡ k	22 ... 14 ° ‡ 8
Screw Torque	1.36 Nm
\ u U	4 #
\ u U	10 #
@ ‡ †	† #
@ k	8 \ †) #

Material Specification

Insulating Body	PC
Terminal Material	Brass, Tin Plated
Screw Material	Steel, Nickel Plated

Drawing



Article Nr.	Number of Poles	L	S
RND 205-01082	2	41.2	32.4
RND 205-01083	3	52.3 mm	43.5 mm
RND 205-01084	4	63.4	54.6
RND 205-01085	5	74.5	65.7 mm
RND 205-01086	6	85.6	76.8
RND 205-01087	8	107.8 mm	99 mm
RND 205-01088	10	130	121.2
RND 205-01089		152.2	143.4 mm