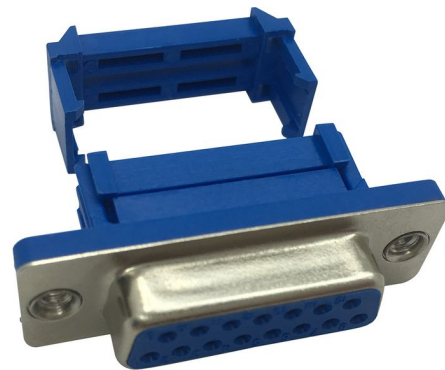


D-Sub to IDC Connector

Features

- Contact casing in tin-plated steel
- With low depth from flange
- For simpler applications with fewer mating cycles



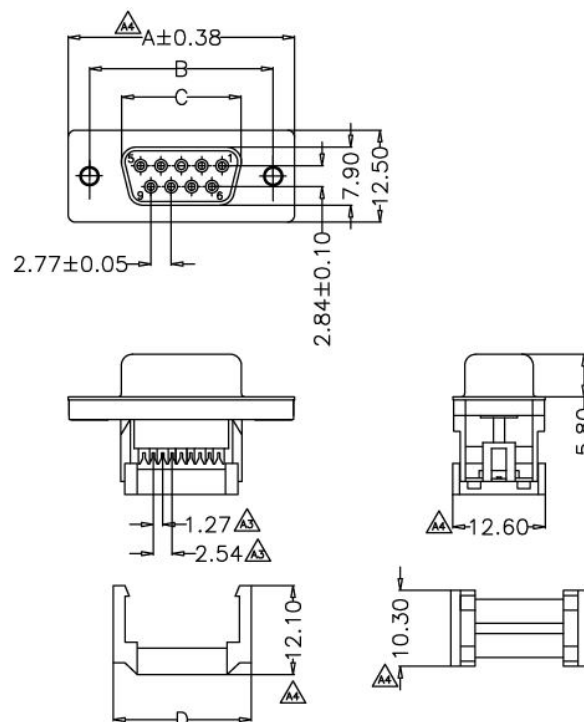
Specification

Number of Poles	15
Gender of Contacts	Female
Connection A	D-SUB 15-Pin
Connection B	IDC
Operating Temperature Range	-45 ... 85 °C
Rated Current	3 A
Dielectric Withstand Voltage	AC 1000 V RMS
Insulation Resistance	500 MΩ min. at DC 500 V
Contact Resistance	25 mΩ max.
Cable Cross Section	28 ... 26 AWG

Material Specification

Housing Material	Steel, Tin-Plated
Contact Material	Brass, Gold-Flashed
Insulator	PBT, UL 94 V-0

Drawing



A	39.1 mm
B	33.3 mm
C	24.6 mm
D	26.9 mm