

D-Sub Connector

37P, Male

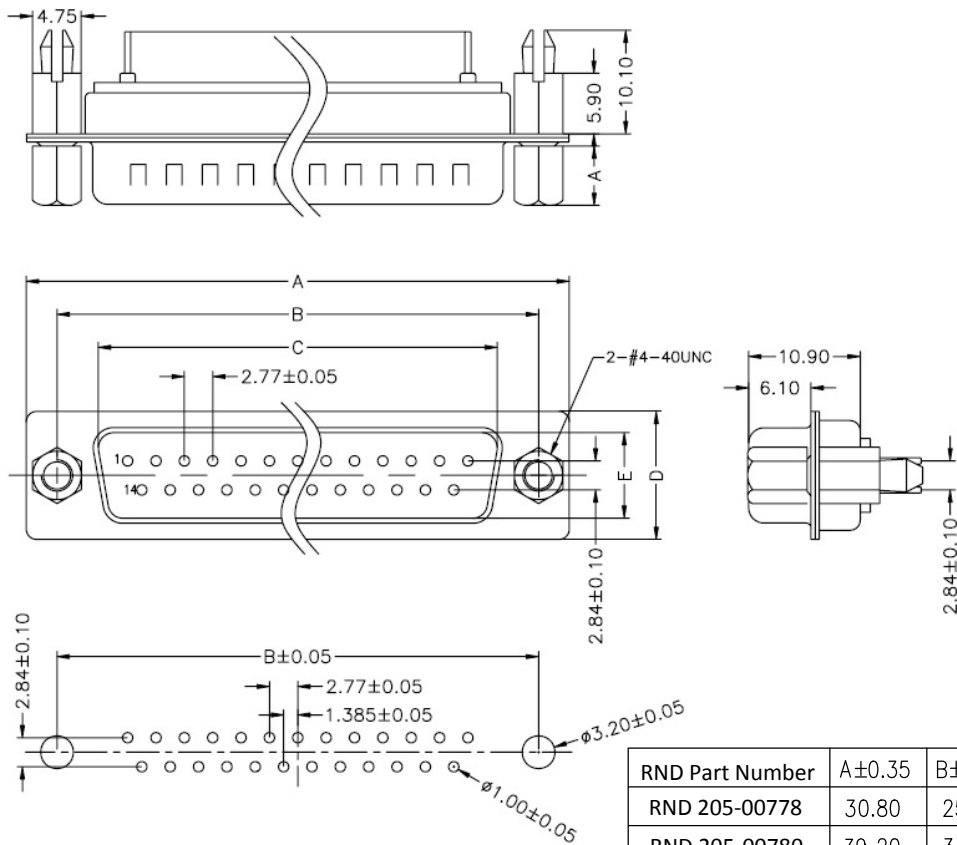


SPECIFICATION:

Poles	37
Termination	180°/Solder PCB THT
Gender of contacts	Male
A	69.4 mm
B	63.5 mm
C	55.4 mm
Colour	Black
Contact material	Brass, Gold-Flashed
D	12.5 mm
E	8.3 mm
Housing Material	Steel/Nickel (Ni)
Insulator material	PBT
Outside material	Metal
Rated current	3 A
Temperature range	-55...+105 °C

Art. Nr.

RND 205-00784



RND Part Number	A±0.35	B±0.25	C±0.25	D±0.25	E±0.20
RND 205-00778	30.80	25.00	16.90	12.50	8.30
RND 205-00780	39.20	33.30	25.25	12.50	8.30
RND 205-00782	53.05	47.05	38.95	12.50	8.30
RND 205-00784	69.40	63.50	55.40	12.50	8.30