

# D-Sub Plastic Cover

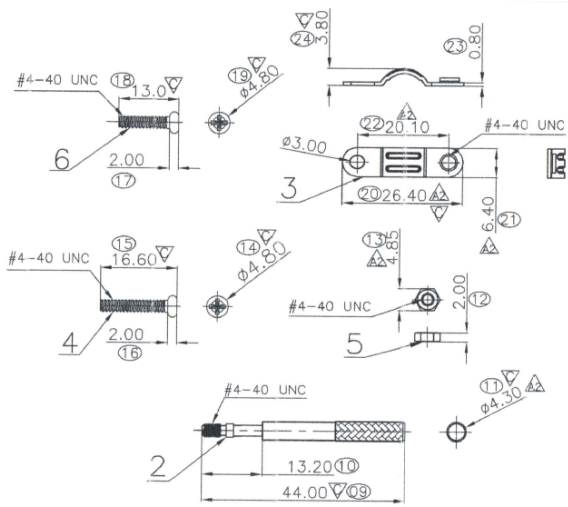
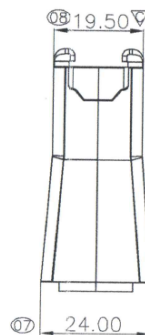
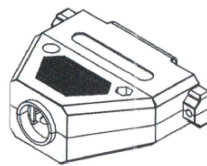
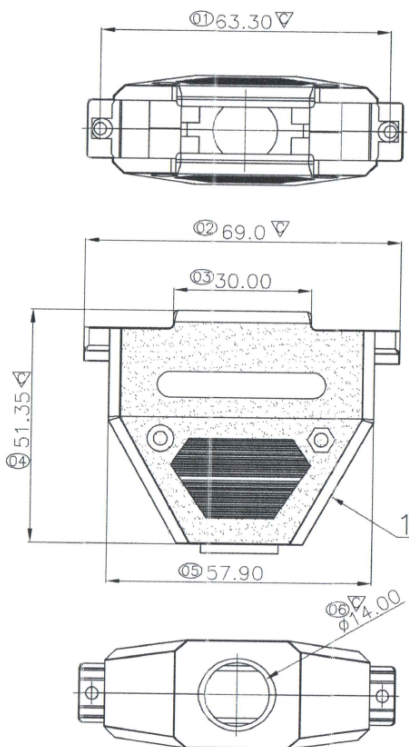


## SPECIFICATION:

Poles	37
Shielding	Unshielded
Cable $\phi$ max.	14 mm
Housing Material	ABS
Housing size	37 (DC-37)
Colour	Black
Cable $\phi$	14 mm

## Art. Nr.

RND 205-00717



NO:	NAME	Q'TY	MATERIAL	REMARK
6	SCREW(3)	2	STEEL	Ni PLATING
5	SCREW CAP	2	STEEL	Ni PLATING
4	SCREW(2)	2	STEEL	Ni PLATING
3	CABLE CLIP	2	STEEL	Ni PLATING
2	SCREW(1)	2	STEEL	Ni PLATING
1	SHELL	2	ABS	BLACK/GRAY/NICKEL

## NOTES:

1. ALL DIMENSION MARKED  $\nabla$  MUST BE CONTROLLED BY QIP.
2. ALL DIMENSION MARKED  $\text{D}$  SHOULD BE MEASURED BY FAI.