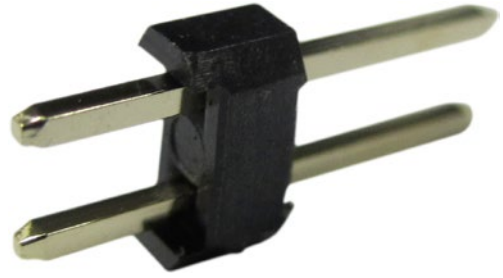


Features

- Superior quality pin header
- For professional and industrial use
- Great use in board to board, wire-wrap or programming applications



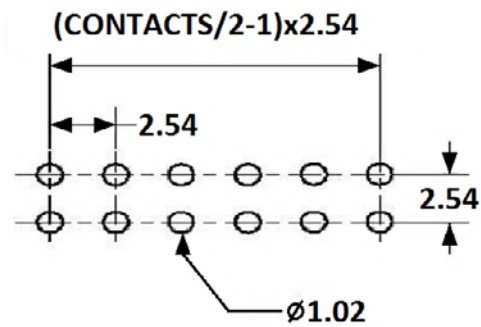
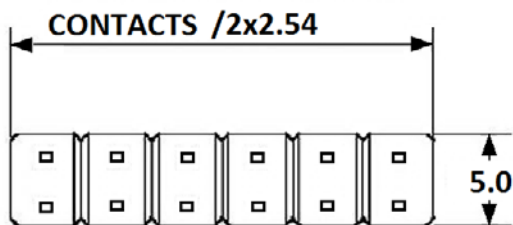
Specification

| | |
|-----------------------|----------------|
| Number of Poles | 2 |
| Number of Lines | 2 |
| Current | 3 A |
| Operating Temperature | -55 ... 105 °C |
| Connector Design | Straight |
| Pitch | 2.54 mm |
| Contact Gender | Plug |
| Connector Termination | THT |
| Colour | Black |
| Contact Resistance | 20 mOhm min. |
| Insulation Resistance | 100 MOhm min. |
| Withstanding Voltage | 1 kVAC RMS |

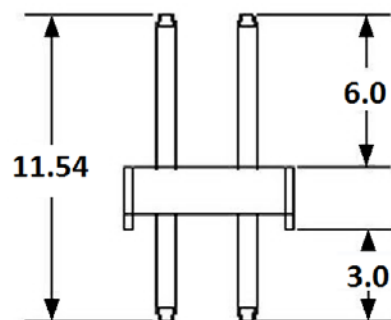
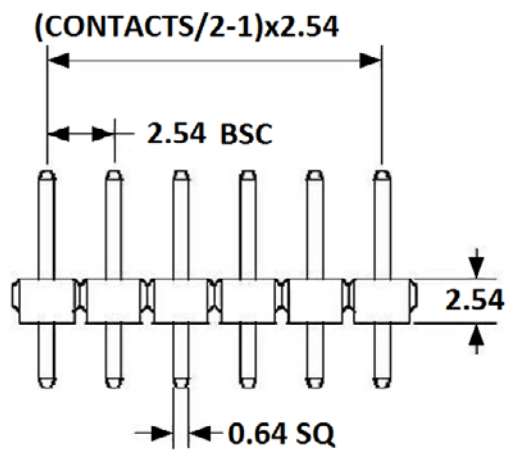
Material Specification

| | |
|---------|------------------------|
| Housing | Thermoplastic, UL94V-0 |
| Contact | Copper Alloy |

Drawing



RECOMMENDED P.C.B LAYOUT



Accessories



Short-Circuit Jumper

RND 205-00797

RND 205-00798

RND 205-00799

Art. Nr.

RND 205-00632