

Features

- RND filters are designed for easy and fast chassis mounting
- High conducted attenuation performance
- Terminals for easy assembly

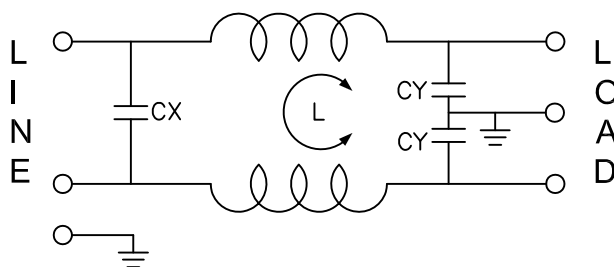
Applications

- Electrical and electronic equipment / power systems
- Datacom equipment / stepper motor drives
- Stepper motor drives / UPS and inverters

Specification

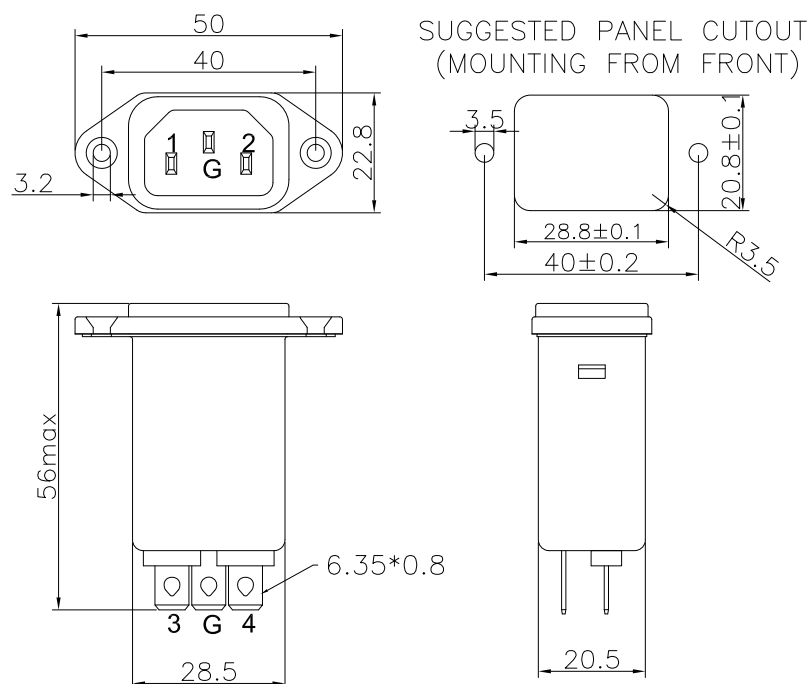
Voltage Rating	115 / 250 VAC
Current Rating - A @ 115 VAC	10 A RMS Max.
Current Rating - B @ 250 VAC	10 A RMS Max.
Operating Frequency	50 / 60 Hz
Leakage Current: Each Line to Ground - A @ 115 VAC / 60 Hz	0.4 mA max.
Leakage Current: Each Line to Ground - B @ 250 VAC / 50 Hz	0.8 mA max.
Hipot Rating - A - Line to Ground	2250 VDC
Hipot Rating - B - Line to Line	1450 VDC
Operating Temperature Min.	-25 °C
Operating Temperature Max.	85 °C
IR	50 MOhm @ 500 VDC Any Input or Output to Ground

Electrical Schematic



L:2x0.3mH
 Cx:0.1uF(X2)
 Cy:3300pF(Y2)*2

Drawing



Art Nr.
 RND 165-00118