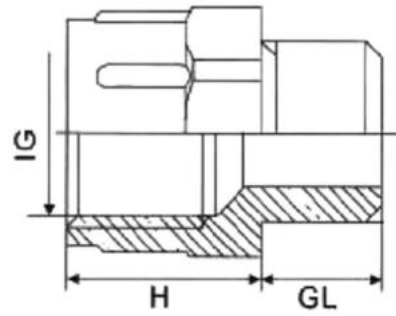


Metric Expansion Adapter

Plastic, Sold by piece



Includes 1 metric expansion adapter + locknut + o-ring

SPECIFICATION:

Material	Nylon
Temperature range	-20...+80 °C

PRODUCT RANGE:

Art. Nr.	IG	Internal thread	GL	H	Spanner size	Colour	Hole \varnothing
RND 465-00411	M32 x 1.5	M25 x 1.5	15 mm	19 mm		black	25...25.3 mm
RND 465-00415	M32 x 1.5	M25 x 1.5	15 mm	19 mm		grey	25...25.3 mm