

QM2-2P-244A

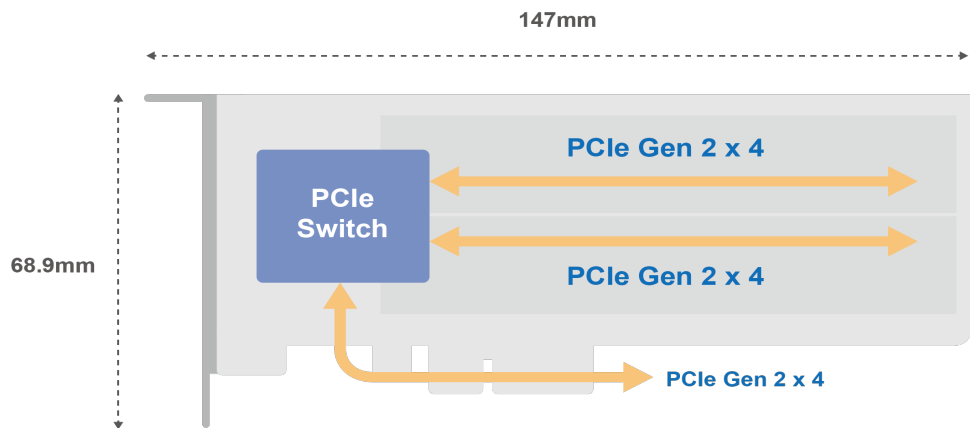
Connector	2 x M.2 22110 or 2280 PCIe (Gen2 x 4) NVMe SSD slots
PCIe and Lanes	PCIe Gen2 x 4
Bracket	Low-profile (default). Low-profile flat and Full-height brackets are also included.

Dimensions (L x W x H) 147.15 × 68.9 × 20.6 mm

Note [NAS] [Recommended models](#) (please update your NAS to latest version)
Please check the [M.2 SSD compatibility list](#) and [QM2 Installation Guide](#)

Note [PC] Note:
The system BIOS and Operating System (OS) must be capable of supporting a PCIe NVMe SSD. Please refer to the technical manual of your system or consult with the vendor.

Architecture Diagram



Note: Use only QNAP memory modules to maintain system performance and stability. For NAS devices with more than one memory slot, use QNAP modules with identical specifications.

Warning: Using unsupported modules may degrade performance, cause errors, or prevent the operating system from starting.

* Sound Level Test

Environment: Refer to ISO 7779; Maximum HDD loaded; Bystander Position; Average data from 1 meter in front of operating NAS.

Product images are for illustrative purposes only and may differ from the actual product. Due to differences in monitors, colors of products may also appear different to those shown on the site.

Designs and specifications are subject to change without notice.