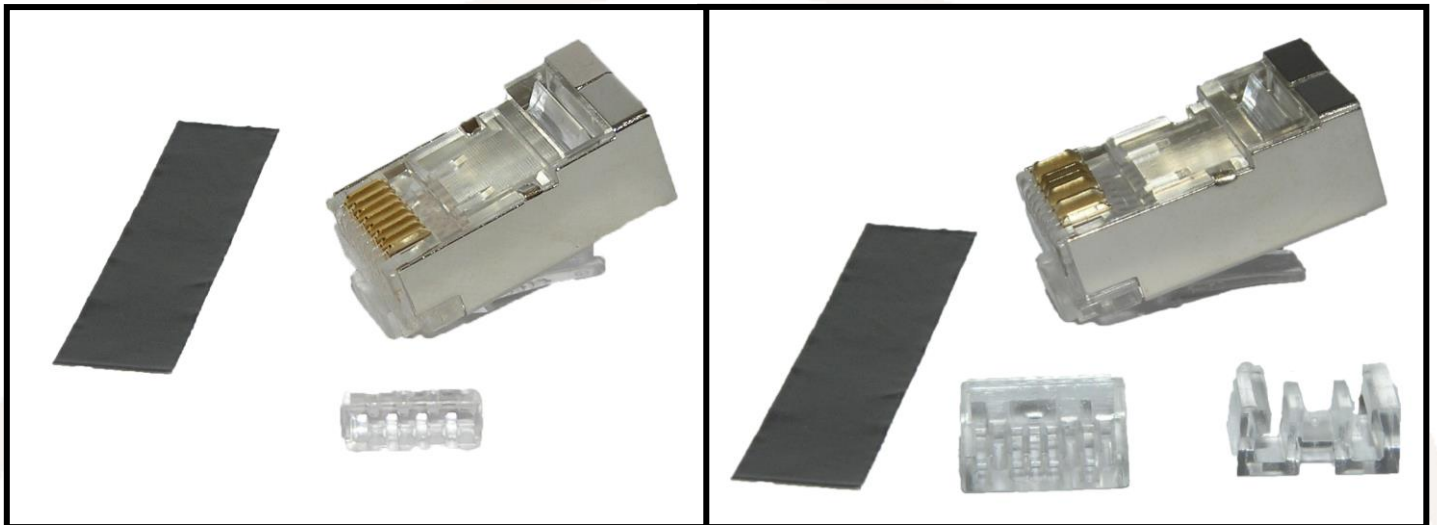


Category 6/6A Shielded Modular Plug (8P8C)



(PXcat6S8XL)

(PXcat6S4)

Features

We are pleased to offer high performance shielded connectors suitable for rapid termination of Category 6 and Category 6A patch cables. No soldering is required and the plugs can be terminated well in the field or on an automated production line.

PXCAT6S8XL

- Contact blades are suitable for stranded or solid wire from 22-26 AWG. cores up to 1.15mm O.D.
- 2 part (plus foil) plug with large entry for large outer diameter cable (easily accommodates 7mm O.D.).
- Compatible SR boot also available in black or white (PS2bk8 + PS2wh8).

PXCAT6S4

- Contact blades are suitable for stranded or solid wire from 22-26 AWG. cores up to 1.02mm O.D.
- 3 part (plus foil) plug with extra cross insert separators and 1/3/7 pattern low insert for high performance.
- Suitable for use with flush or overboot style SR.

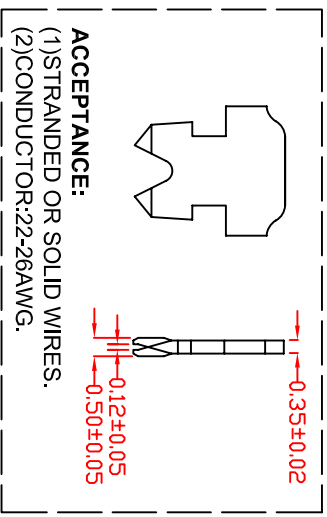
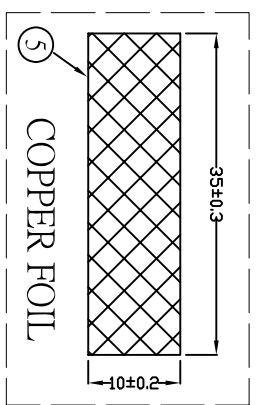
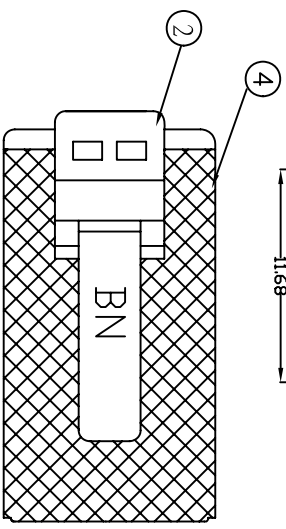
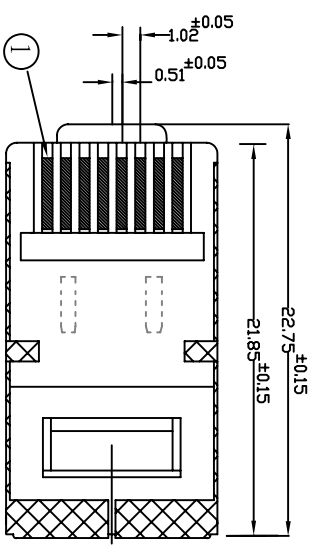
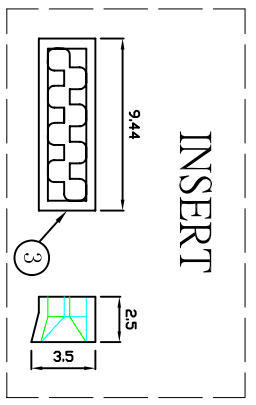
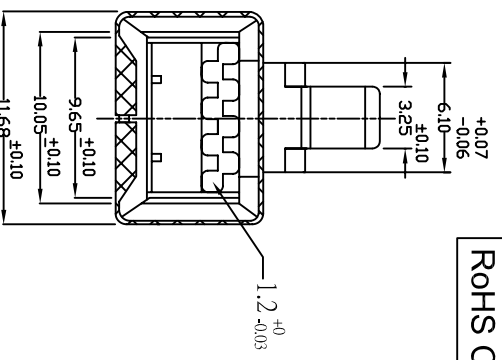
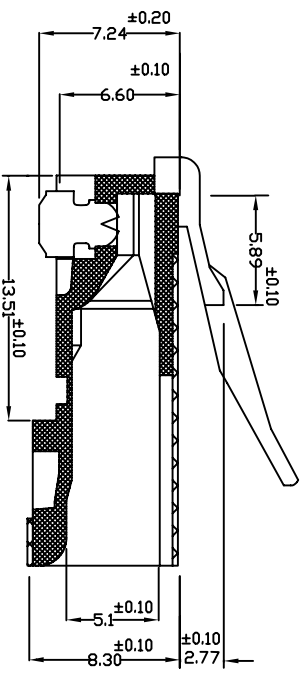
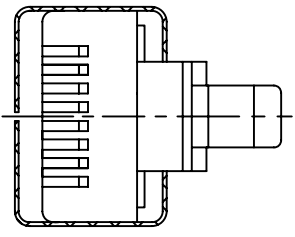
Specifications

- Suitable for round Category 6/6A FTP cable. Enables reliable termination to Category 6/6A component level patch lead standard.
- UL listed.

- Housing: Polycarbonate, UL94V.
- Shielding: Nickel-plated copper.
- Contacts: 50 μ "/1.27 μ m Gold plated over 100 μ "/2.54 μ m Nickel plate over Phosphor Bronze.
- Foil wrap.



ROHS COMPLIANT



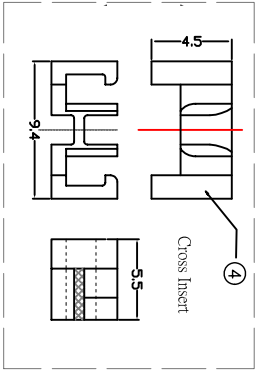
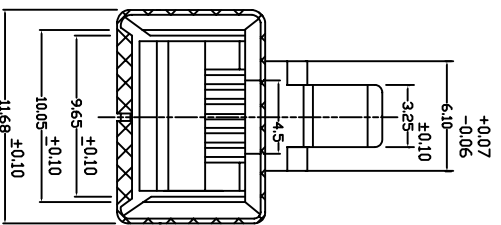
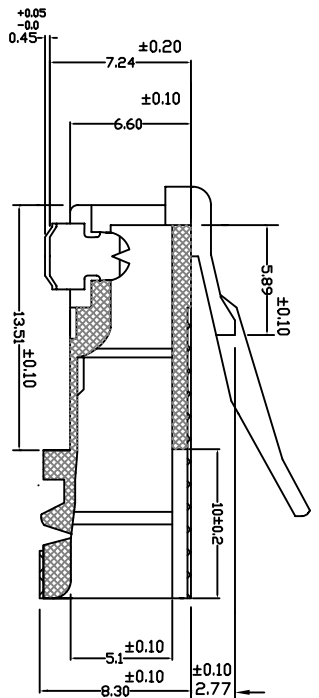
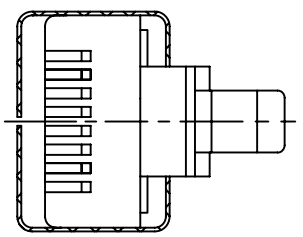
FOR WIRE OD: 1.05-1.15mm.
CABLE OD: 7.0mm MAX.

No.	Name	Material	Specification	QTY'	Drwg
⑤	COPPER FOIL	COPPER	35X10mm	1	ZFCUDBXXX
④	Shielded	Cu	CAT6 8P	1	ZPG88XXXX-08
③	INSERT	PC	8P	1	PG88XGN0BX10-IH1
②	HOUSING	PC	8P 5.1P	1	PH88XGN0BX50-G
①	Contact Pin	Cu	High low PIN	4	GP16XXX GP13XXX

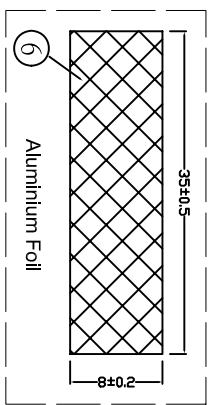
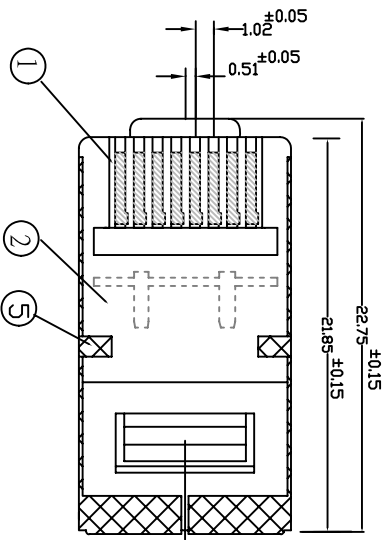
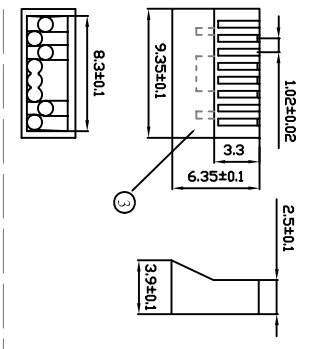
APPD.	P/N.	PG88XGN0BX50-G
CHKD.	FILE	PG88XGN0BX50.DWG
DR.	TITLE	Suitable for cat 6 stranded cable wire OD: 1.05-1.15

REV.	DESCRIPTION	DATE	ENG.	APPROVAL
1				

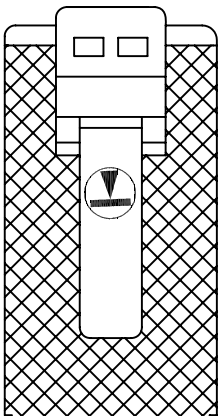
TUK Ltd	SCALE	UNIT	SIZE
Cat 6 FTP Plug for large cores & OD	/	MM	A4
PXCAT6S8XL2			A0



Double CAT 6(1'3'7' Low) Insert



8P8C 5.1F "T" mark Double 1'3'7' Low CAT6 Insert add cross insert Shielded PLUG



6	Metal Foil	Aluminium	35X8mm	1	
5	Shielded	Cu		1	
4	Cross insert	PC	8P	1	
3	Insert	PC	1'3'7' Low Insert	1	
2	Housing	PC	8P8C	1	
1	Contact Pin	Cu	Big Angle	3	
				5	
APPD.		P/N.		PXCAT6S4	
CHKD.		FILE			
DR.		TITLE			

TUK LTD		SCALE	/	SIZE	A4
		UNIT	MM	REV.	

Tuk Ltd, Unit 4, Wimbledon stadium Business Centre, Riverside Road, London SW17 0BA
 Tel: 020 8946 6688 Fax: 020 8879 7410 Email: sales@tuk.co.uk Website: www.tuk.co.uk