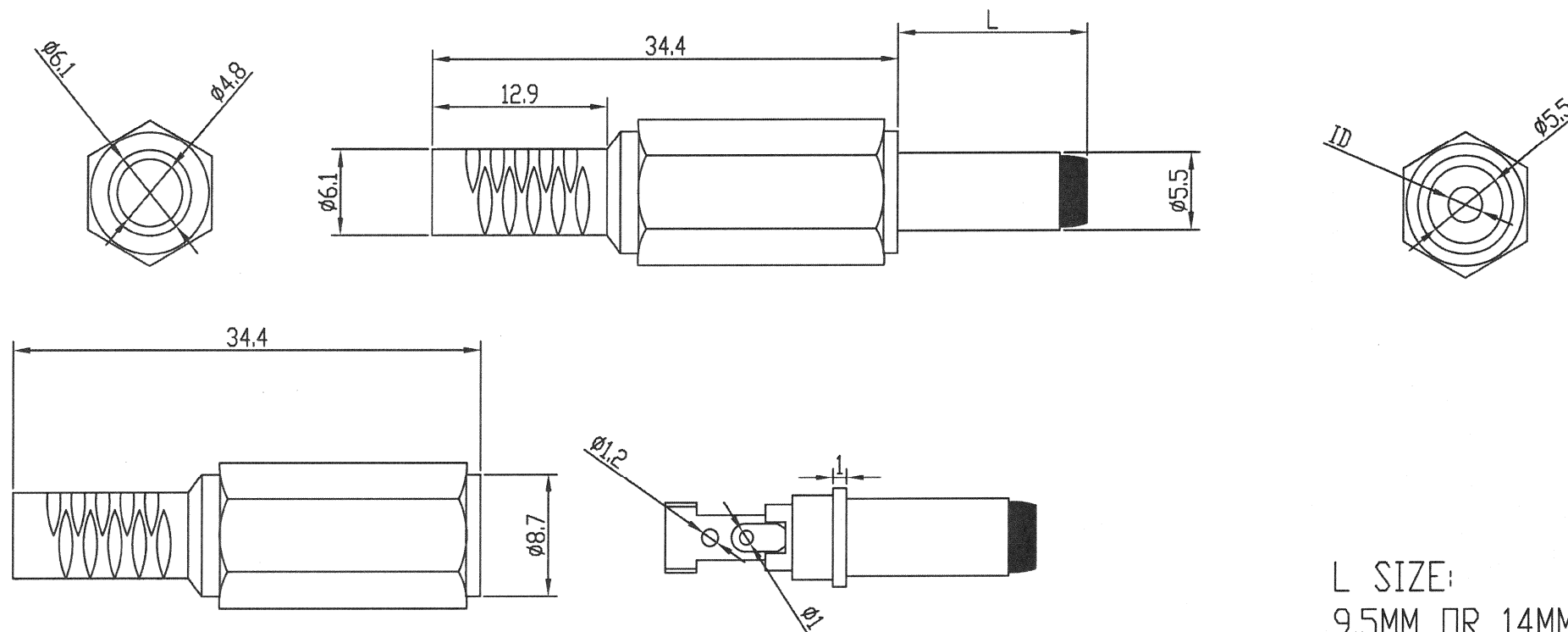


Distrelec

PN#110-47-959 (5.5x2.5x9.5mm) / New ONTOP PN#PL200618A

PN#110-47-958 (5.5x2.1x9.5mm) / New ONTOP PN#PL200618B

ONTOP ELECTRONIC CO., LTD.



SPECIFICATION

Dielectric strength: AC500 1 Minute

Insulation resistance: 100M ohm at 500VDC

Contact resistance: 30m ohm Max

Rating: 3A

L SIZE:
9.5MM OR 14MM
ID SIZE:
2.1MM OR 2.5MM

TOLERANCES	
0.5MM-5MM	±0.2MM
5MM-30MM	±0.4MM
30MM-120MM	±0.6MM
120MM-315MM	±1.0MM
315MM-1000MM	±1.6MM
1000MM-2000MM	±2.4MM

No.	Description	Material	Qty
1	Hexagon Handle	Plastic PE208	1
2	Contact	C2680 copper, Nickel	1
3	Plug	C3604 Alloy Copper, Nickel	1
4	Black tip	Derlin	1
5	Inside Insulation	Derlin+Fiber	2

核准日期 Date : 7 Jul 2011