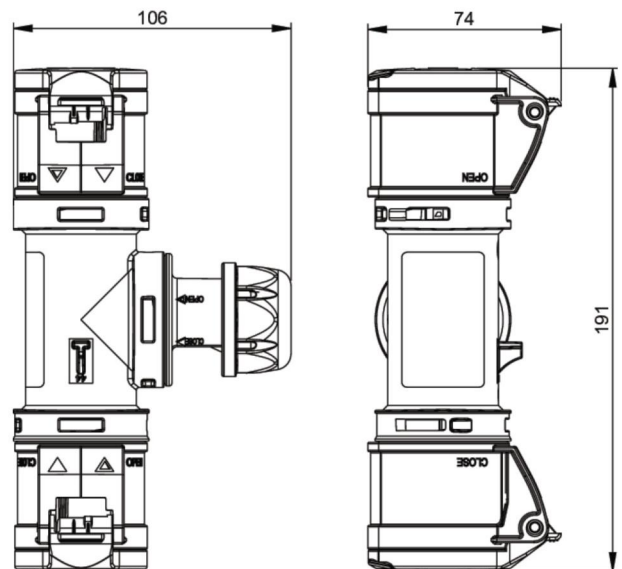


PCE data sheet

article#	94325002
article description	T-Connect 2x16/3 6h cablegland IP44
description long	T-Connect 2x16/3 6h cablegland IP44 housing material: PC/ABS rated current: 16A number of poles: 3 (2P+PE) clock-position: 6h rated voltage/frequency: 200-250V~ / 50+60Hz contacts: brass Entry: cable gland, terminal 3x2,5mm ² Outlet: 2x CEE-socket 16A 3p 6h ready wired to terminal color: black IP protection class: IP44
GTIN (EAN)	9003399737282
country of origin	AT
customs number	85366990
net weight	0.302 kg
packaging quantity	10
minimum order quantity	10

ETIM 8.0	EC000379
CEE socket outlet 16 A	2x16A3p230V
Protection	None
Material housing	Plastic
Contact material	CuZn
Power supply/connection possibility	1 cable (branch line)
Number of poles mains connection	3
Diameter cable entry	Other
Handling	Portable
Degree of protection (IP)	IP44
Colour	Black



<https://www.pcelectric.at/shop/en/?func=detail&artnr=94325002>



www.manufacturer-safety.info