

## **SPECIFICATION**

- Part No. : **PCB. SMAFRA.HT**
- Product Name : SMA(F)RA Through Hole PCB Mount Jack
- Feature : SMA(F) Jack  
Through Hole PCB Jack  
Frequency Range: DC up to 6GHz  
Finish: Gold  
Dimensions: 13.75mm\*15.1mm  
**RoHS Compliant**



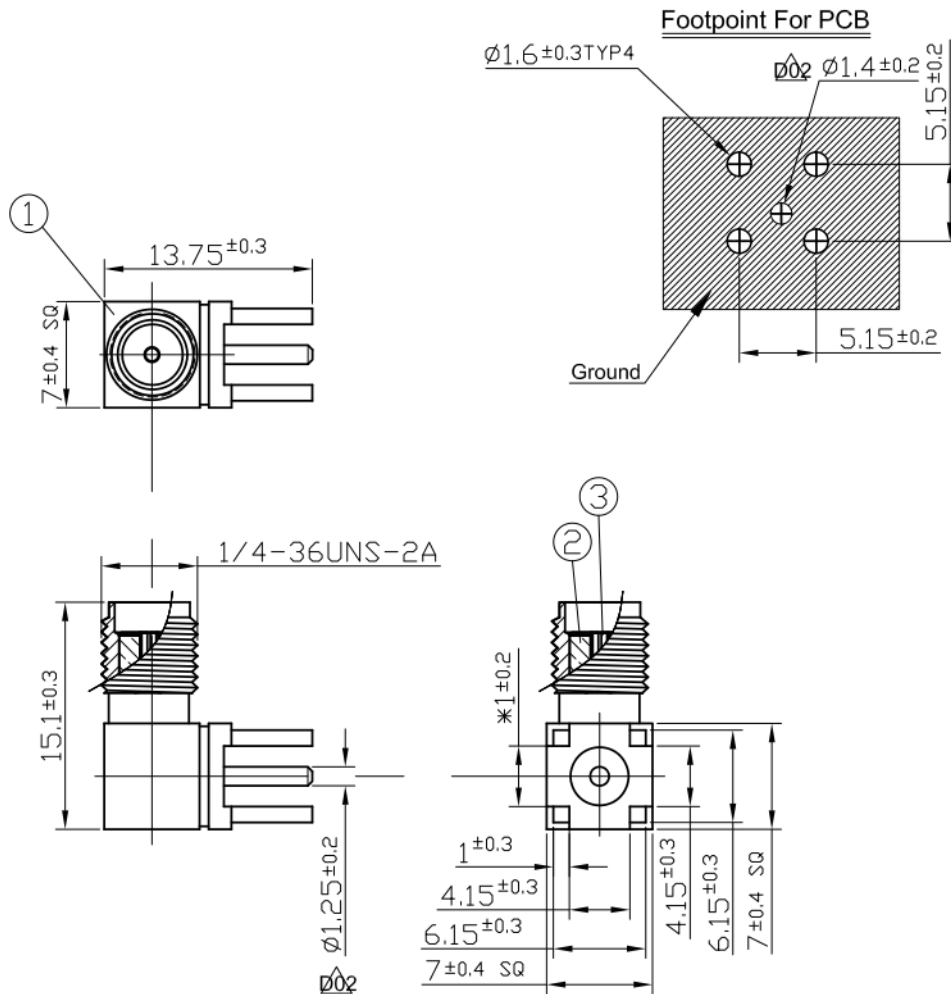
## 1. Introduction

The PCB SMAFRA.HT connector was designed to be mounted on a PCB. The maximum thickness of PCB that the connector can be used with is 0.4mm. The connector pin is directly soldered onto pads on the PCB. The connector is a standard SMA(F)RA Jack. Taoglas connectors are all RoHS compliant.

## 2. Specification

ELECTRICAL	
Impedance	50Ω
Frequency Range	DC~6 GHz
Working Voltage	Max. ≤170 Vrms
Dielectric withstanding Voltage	500 Vrms
Insulation Resistance	≥1000M MΩ
MECHANICAL	
Connector Dimension	13.75mm*15.1mm
Connector Pin Diameter	1.25 mm
Connector Type	SMA(F)RA Jack
ENVIRONMENTAL	
RoHS compliant	
Operating Temperature	-40°C to +85°C

### 3. Connector Drawing



	<b>Name</b>	<b>Material</b>	<b>Finish</b>	<b>QTY</b>
<b>1</b>	<b>Body</b>	<b>Brass</b>	<b>Gold</b>	<b>1</b>
<b>2</b>	<b>Insulator</b>	<b>Teflon</b>	<b>White</b>	<b>1</b>
<b>3</b>	<b>Female Contact</b>	<b>Brass</b>	<b>Gold</b>	<b>1</b>

Taoglas makes no warranties based on the accuracy or completeness of the contents of this document and reserves the right to make changes to specifications and product descriptions at any time without notice. Taoglas reserves all rights to this document and the information contained herein. Reproduction, use or disclosure to third parties without express permission is strictly prohibited. Copyright © 2014, Taoglas Ltd.