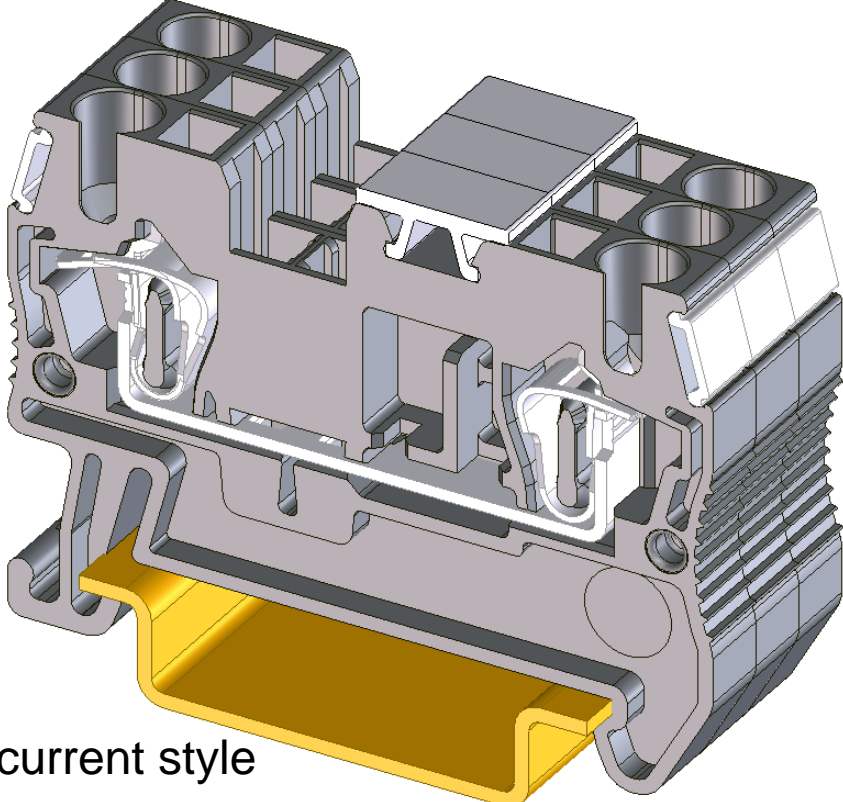
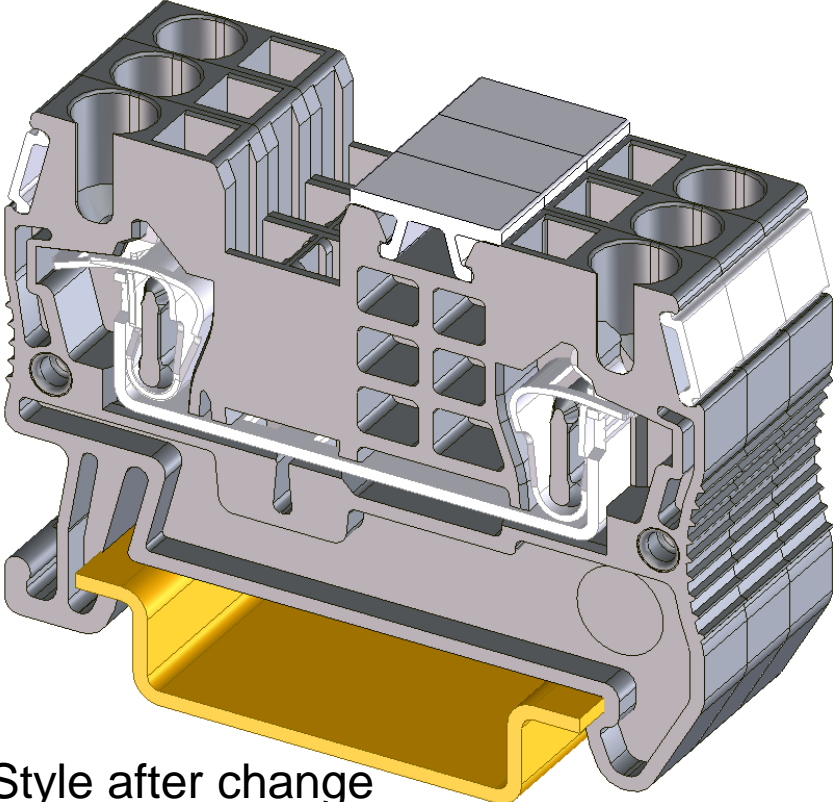


ST 2,5 GEH



current style



Style after change

both styles are valid

Change of ST 2,5-Housing

ST 2,5 GEH

- Due to capacity expansion in China a new injection mould is required
- A new design in the moulding will be realized
- The new design will improve the stability of the housing for extrem conditions
- In other production locations, the old design will be valid till a maintenance of the moulding tool will be necessary
- Over the time all other production location will get successively the new design
- technical rates and dimensions remain the same
- Mixing of inventory is possible

3031212	ST 2,5
3037122	ST 2,5 BK
3035360	ST 2,5 BN
3031225	ST 2,5 BU
3037106	ST 2,5 GN
3037070	ST 2,5 OG
3037096	ST 2,5 RD
3037119	ST 2,5 WH
3037083	ST 2,5 YE
3031238	ST 2,5-PE