




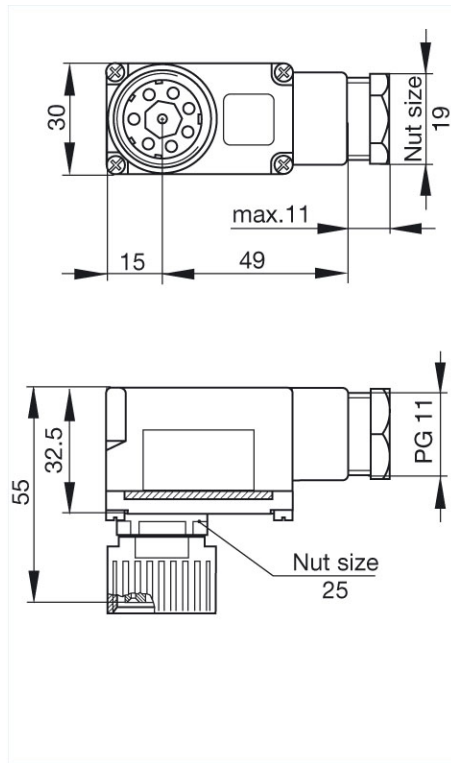
Product information N6R FF S 11

Industrial Connecting Solutions: Circular Connectors: MIL, DIN, Universal Connectors: DIN 43651 Connectors (NR series): Angled cable socket: N6R FF S 11

<https://www.e-catalog.beldensolutions.com:443/link/57078-24228-256281-256284-24367-24369-36232/en/conf/ui/state>

Name	N6R FF S 11
	
	Angled cable socket, strain relief by means of a clamping cage, transparent cap, for installation of the LED insert
Delivery informations	
Availability	available
Product description	
Description	Angled cable socket, strain relief by means of a clamping cage, transparent cap, for installation of the LED insert
Type	N6R FF S 11
Order No.	932 194-112
Type of contact	female
Number of contacts	6 + PE
Cable gland	PG 11
Cable diameter	7 mm to 9 mm
Conductor size	max. 1.5 mm ²
Standard	DIN 43651
Housing Color	transparent/grey
Technical data	
Pin dimensions	1.6 mm
Rated voltage	AC/DC 250 V
Rated current	10 A
Contact resistance	<= 5 mOhm
Type of termination	screw
Suitable cables	0.5 mm ² to 1.5 mm ²
Material	
Contact surface material	Ag
Contact bearer material	PET
Housing material	PET
Environmental conditions	
Protection class (IEC 60529)	IP 65
Temperature range	-40 °C to +90 °C
Packing unit	
Packaging unit	10 pieces
Scope of delivery and accessories	
Scope of delivery	1 cable sockets, not assembled, in polythene bag, with assembly instructions
Accessories to order separately	can be plugged into N6R AM, N6R AM..., N6R BM..., N6R DM; LED-insert N6R 3 LED 24, order no. 831 411-001 LED-insert N6R 3 LED 24 DB, order no. 831 618-001 coding NC 6, order no. 831 002-011

Picture
Drawing



Belden Deutschland GmbH
Im Gewerbepark 2
58579 Schalksmühle
Germany
Phone: +49 7127/14-1806
E-Mail: icos-sales@belden.com

The information published in the websites has been compiled as carefully as possible. It is subject to alteration without notice in technical as well as in price-related/commercial respect. The complete information and data were available on user documentation. Mandatory information can only be obtained by a concrete query.