




Product information N6R-41

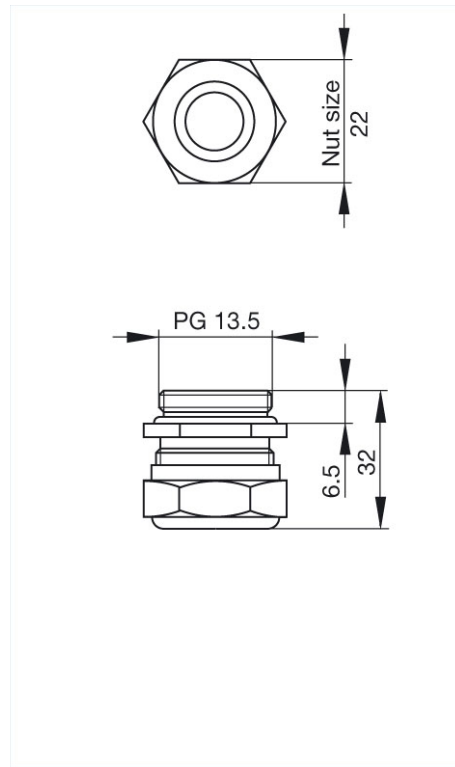
Industrial Connecting Solutions: Circular Connectors: MIL, DIN, Universal Connectors: DIN 43651 Connectors (NR series): Accessories NR-series: N6R-41

<https://www.e-catalog.beldensolutions.com:443/link/57078-24228-256281-256284-24367-24374-36317/en/conf/ui/state>

| | |
|---|--|
| Name | N6R-41 |
|  | |
| | EMV-PG-cable gland for lead diameter 6 - 12 mm |
| Delivery informations | |
| Availability | available |
| Product description | |
| Description | EMV-PG-cable gland for lead diameter 6 - 12 mm |
| Type | N6R-41 |
| Order No. | 734 605-001 |
| Cable diameter | 6 mm to 12 mm |
| Environmental conditions | |
| Temperature range | -40 °C to +90 °C |
| Packing unit | |
| Packaging unit | 10 pieces |
| Scope of delivery and accessories | |
| Accessories to order separately | can be plugged into N6R EF S, N11R EF S |



Picture
Drawing



Belden Deutschland GmbH
Im Gewerbepark 2
58579 Schalksmühle
Germany
Phone: +49 7127/14-1806
E-Mail: icos-sales@belden.com

The information published in the websites has been compiled as carefully as possible. It is subject to alteration without notice in technical as well as in price-related/commercial respect. The complete information and data were available on user documentation. Mandatory information can only be obtained by a concrete query.