




Product information N11R BM FA S

Industrial Connecting Solutions: Circular Connectors: MIL, DIN, Universal Connectors: DIN 43651 Connectors (NR series): Surface mounted connector: N11R BM FA S

<https://www.e-catalog.beldensolutions.com:443/link/57078-24228-256281-256284-24367-24373-36311/en/conf/uislate>

Name	N11R BM FA S
	
	Surface-mounted connector with flange
Delivery informations	
Availability	available
Product description	
Description	Surface-mounted connector with flange
Type	N11R BM FA S
Order No.	933 699-001
Type of contact	male
Number of contacts	11 + PE
Conductor size	max. 0.5 mm ²
Housing Color	grey
Technical data	
Pin dimensions	1.6 mm
Rated voltage	AC 25 V / DC 50 V
Rated current	5 A
Contact resistance	<= 5 mOhm
Type of termination	solder, concave pins
Suitable cables	0.14 mm ² to 0.5 mm ²
Mounting	flange
Material	
Contact surface material	Ag
Contact bearer material	PET
Housing material	Zn Al/Ni
Environmental conditions	
Protection class (IEC 60529)	IP 65
Temperature range	-40 °C to +90 °C
Packing unit	
Packaging unit	10 pieces
Scope of delivery and accessories	
Scope of delivery	1 surface-mounted connector, not assembled, in polythene bag with assembly instructions
Accessories to order separately	can be plugged into N11R EF S; protective cover SHK 2, order no. 733 845-001



HIRSCHMANN

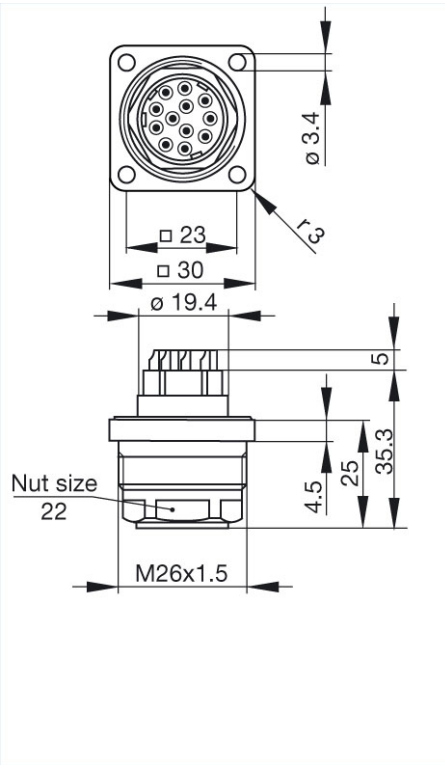
A BELDEN BRAND

Industrial Connecting Solutions: Circular Connectors: MIL, DIN, Universal Connectors: DIN 43651 Connectors (NR series): Surface mounted connector: N11R BM FA S

<https://www.e-catalog.beldensolutions.com:443/link/57078-24228-256281-256284-24367-24373-36311/en/conf/ui/state>

Picture

Drawing



Belden Deutschland GmbH
Im Gewerbepark 2
58579 Schalksmühle
Germany
Phone: +49 7127/14-1806
E-Mail: icos-sales@belden.com

The information published in the websites has been compiled as carefully as possible. It is subject to alteration without notice in technical as well as in price-related/commercial respect. The complete information and data were available on user documentation. Mandatory information can only be obtained by a concrete query.