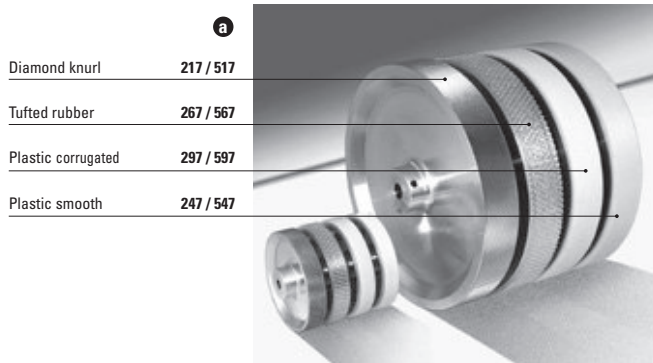


Linear Measuring Technology

Length measuring kits Measuring wheels

Various wheel coatings



Diamond knurl	217 / 517
Tufted rubber	267 / 567
Plastic corrugated	297 / 597
Plastic smooth	247 / 547

Measuring wheels for measuring the length of products in movement, e.g. in the paper, metal, textile, wood or plastic industry.

Various tyres to meet the requirements of the various surfaces of the product to be measured – various diameters, designed for use with Kübler encoders, available for metric and imperial systems.

Selection of the measuring wheel profile according to the surface of the measured material

Surface of the measured material	Recommended profile no.
Cardboard	1, 2, 3, 4, 5
Wood	1, 2, 3, 4, 5
Textile	1, 2, 3, 4
Plastic (e.g. PVC, PE, ...)	2, 3, 4, 5
Paper	2, 3, 4, 5
Wire, greased metals, steel profiles, leather	2
Carpet, cables, nonwoven	3
Greased metals, glass, floor coverings	4
Painted surfaces	2, 4
Rubber, soft plastic	1

Please note:

If a measuring wheel is mounted directly on the shaft of a rotary encoder, the pressure force between the measuring wheel and measured material should not exceed the radial shaft load listed in the data sheet of the encoder.

In addition, the measuring wheels can only be used for in-house purposes which are not subject to the stipulations of the German calibration code.

Order code Measuring wheels

8.0000 . 3 XXX . 00 XX
a b

Measuring wheel Circumference / \varnothing / width	Profile measuring wheels (s.o.)	Coating	Wheel No. <small>a</small>	Weight	Standard bore <small>b</small> ¹⁾	Material of wheel body	Working temperature
0.2 m / \varnothing 63.7 mm / 12 mm [7.87" / \varnothing 2.51" / 0.47"]	1	diamond knurl (aluminium)	217	60 g [2.12 oz]	06 = 6 mm [0.24"] 10 = 10 mm [0.39"]	aluminium	-30°C ... +80°C [-22°F ... +176°F]
	2	plastic (polyurethane) smooth	247	60 g [2.12 oz]			
	3	tufted rubber (polyurethane)	267	60 g [2.12 oz]			
	4	plastic (polyurethane) corrugated	297	60 g [2.12 oz]			
0.5 m / \varnothing 159.2 mm / 25 mm [19.69" / \varnothing 6.27" / 0.98"]	1	diamond knurl (aluminium)	517	775 g [27,34 oz]	10 = 10 mm [0.39"]	aluminium	-30°C ... +80°C [-22°F ... +176°F]
	2	plastic (polyurethane) smooth	547	700 g [24,69 oz]			
	3	tufted rubber (polyurethane)	567	700 g [24,69 oz]			
	4	plastic (polyurethane) corrugated	597	700 g [24,69 oz]			
12" / \varnothing 3.82" / 0.38"	5	natural rubber (NR) smooth	751	100 g [3,53 oz]	10 = 10 mm [0.39"]	aluminium	-30°C ... +80°C [-22°F ... +176°F]

1) Other bore diameters on request

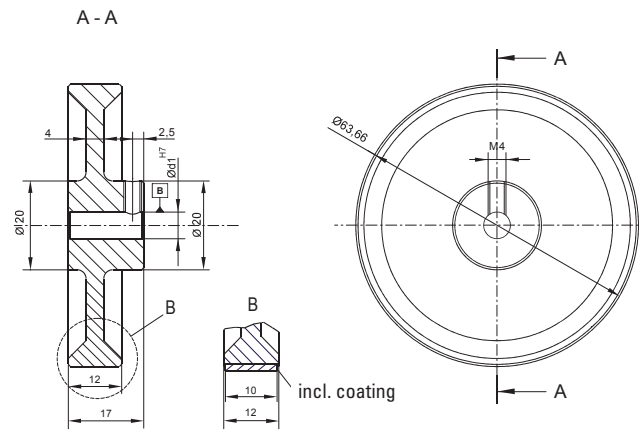
Linear Measuring Technology

Length measuring kits
Measuring wheels **Various wheel coatings**

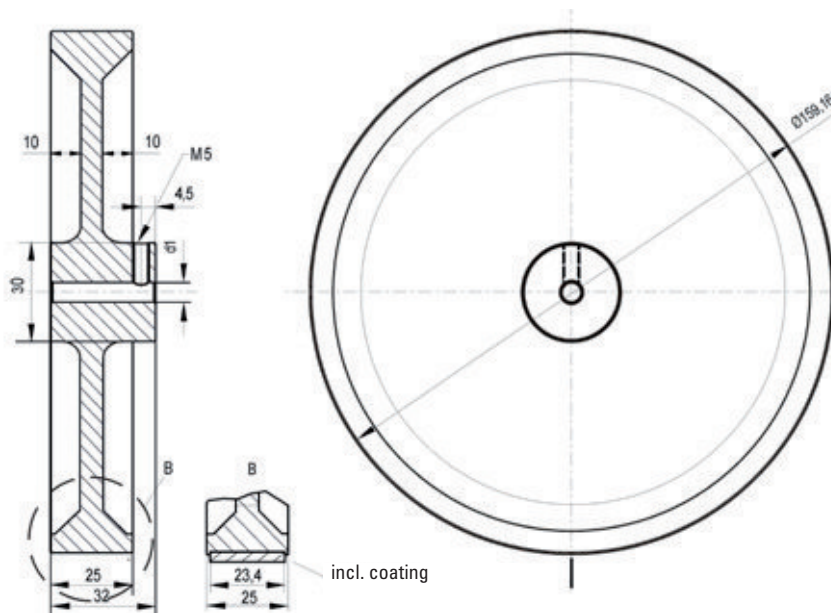
Dimensions

Dimensions in mm [inch]

Measuring wheel No. 2XX



Measuring wheel No. 5XX



Linear Measuring
Technology