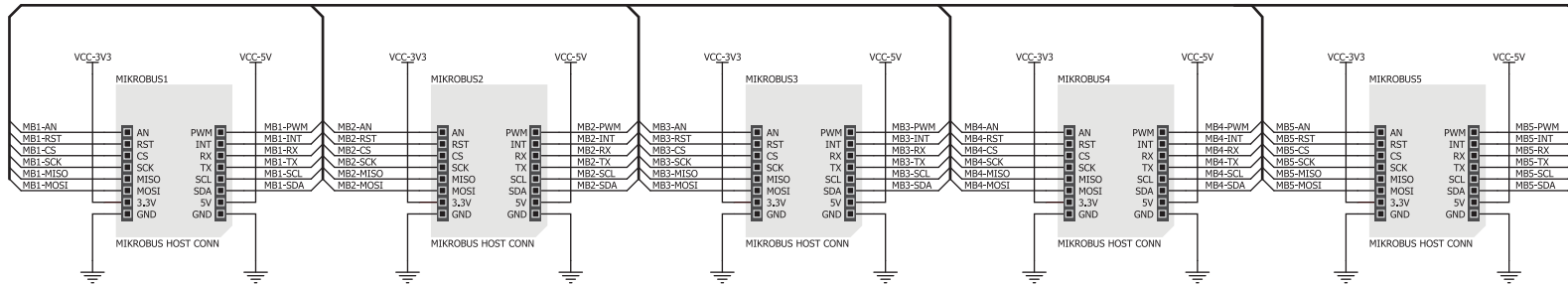




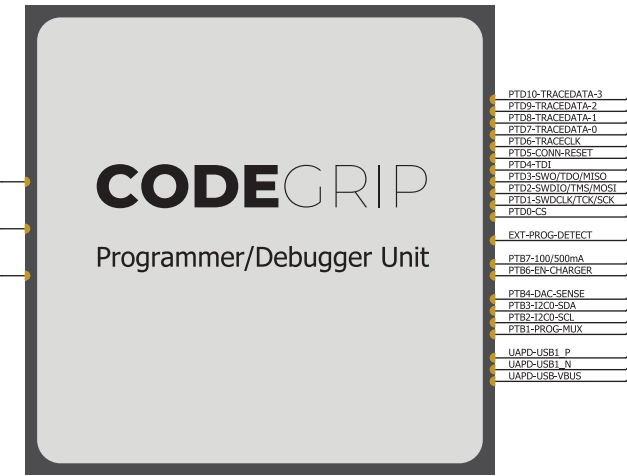
for ARM v8 DEVELOPMENT BOARD

SCHEMATIC

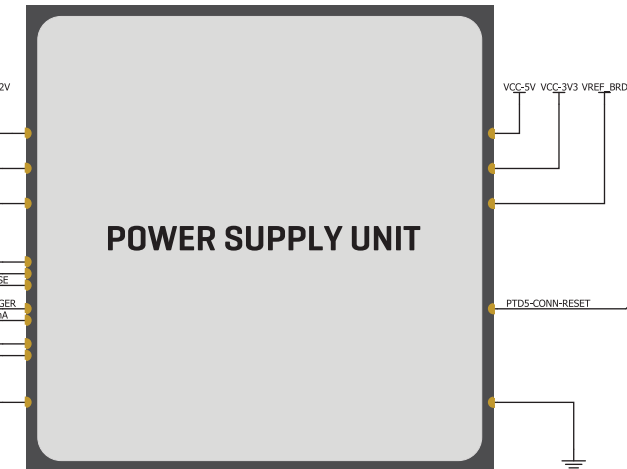
### mikroBUS sockets



### CODEGRIP PDU

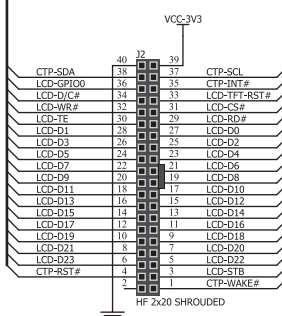


PWR\_TPAD RST\_TPAD

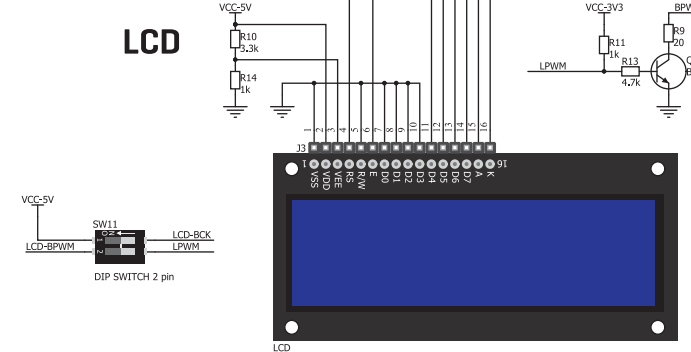


UAPD-USB\_P R3 27 UAPD-USB1\_P UAPD-USB\_N R4 27 UAPD-USB1\_N

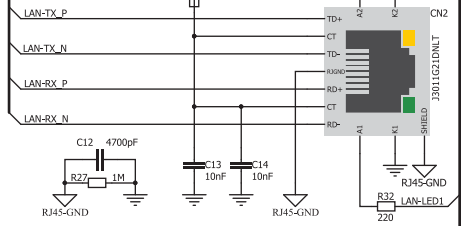
### TFT Connector



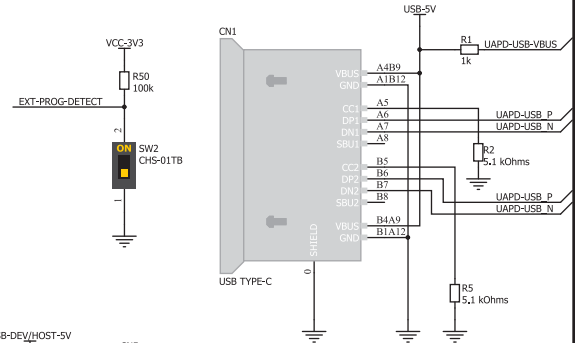
### LCD



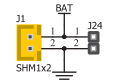
### Ethernet



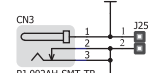
### USB POWER/DEBUG



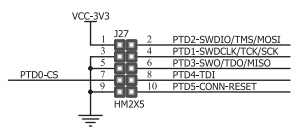
### BATTERY



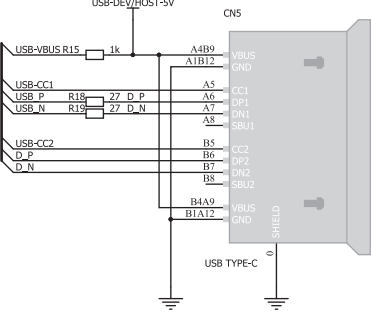
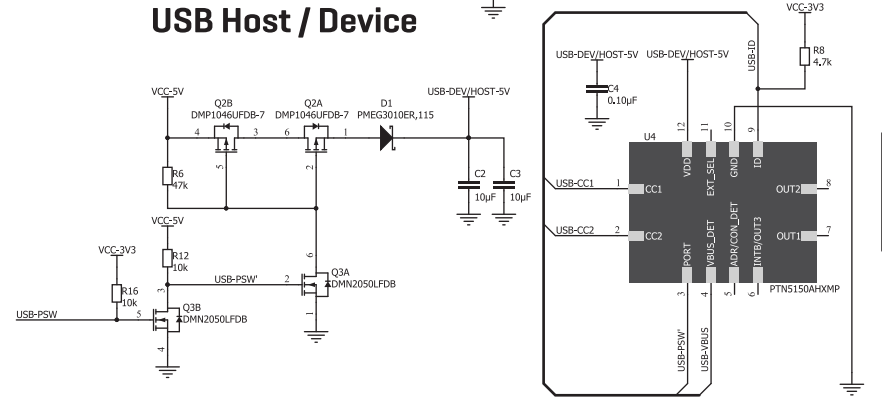
### POWER 12VDC



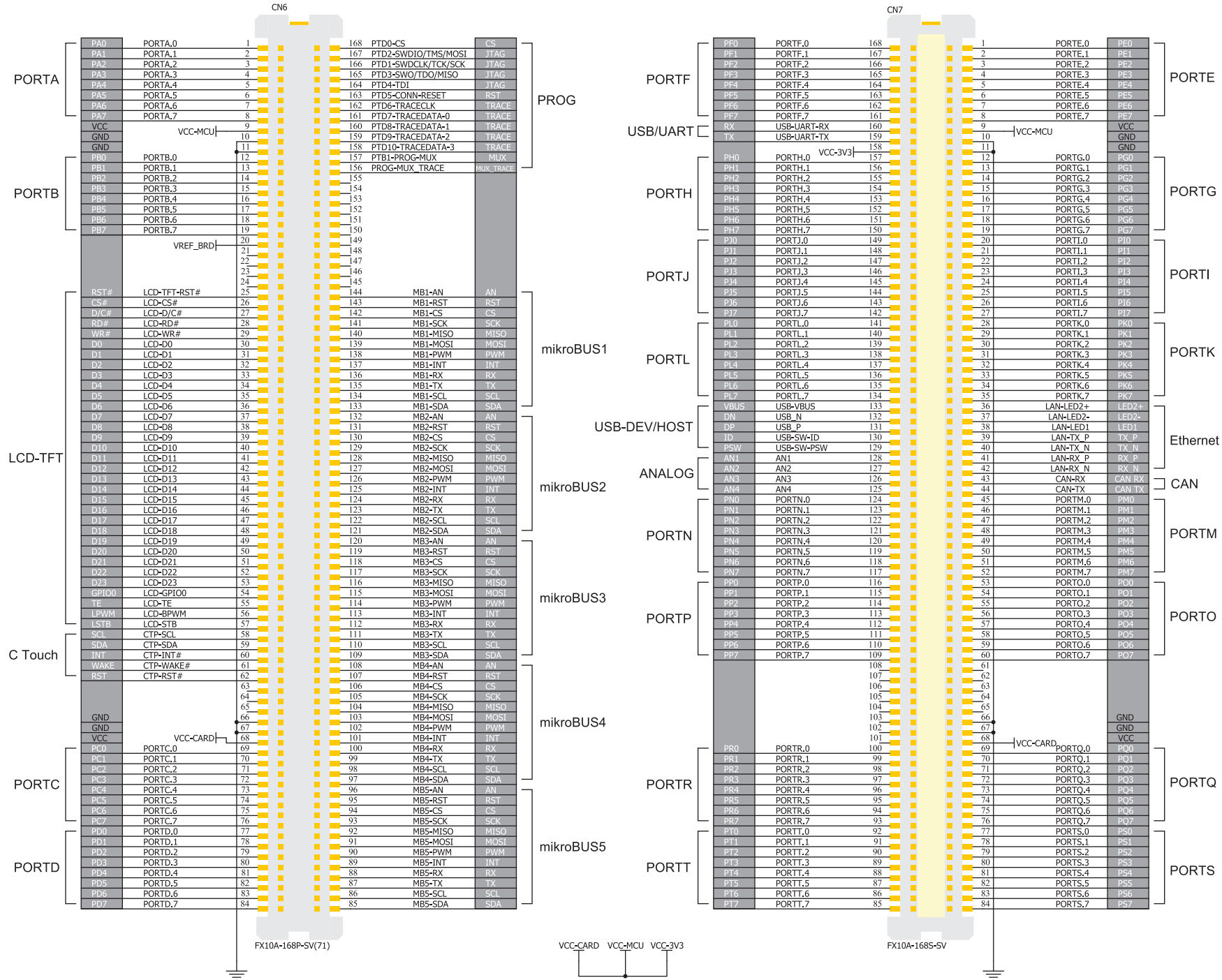
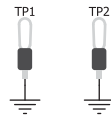
### DBG SELECTION



### USB Host / Device



# MCU Card Socket



HW. REV. 1.1.11

