

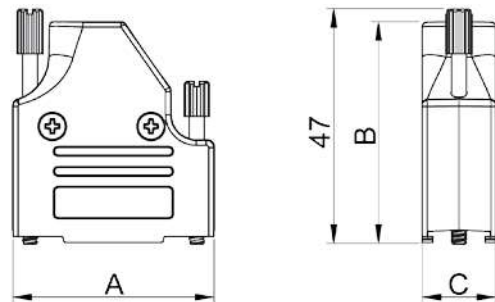
TECHNICAL SPECIFICATIONS

D-Sub Hood:

Material:	Zinc, Nickel Plated
Operating Temperature:	-40°C to +120°C
Cable Entry:	Side Entry 35°
Thumbscrews:	UNC 4-40 (Standard)
Cable O.D:	Up to 13mm

D-Sub High Density:

Insulator:	PBT, Black, UL94 V-0
Shell:	Stamped Steel, Tin Plated
Contact pins:	Copper Alloy
Stamped & Formed pins:	100 inserts min
Contacts Plating:	Selective Gold over Nickel
Operating Temperature:	-55°C to +105°C
Withstanding voltage:	500V for 1 minute
Insulator resistance:	500MΩ min



D-Sub-Hood

Features:

- Available in sizes 9-15-25-37
- 360° EMI Shielding
- Quick assembly
- Supports all types of cables
- Suitable for any common D-Sub connector

Size MHDM35	Dim A	Dim B	Dim C
9-way	43,0	32,0	15,5
15-way	43,0	40,4	15,5
25-way	48,0	54,0	15,5
37-way	53,0	70,5	15,5

Ordering information:

D-Sub Connector Kits (100 inserts min.)

Size:	P/N - Kitted:	Product Code - MALE Conn. Kit
HD 15	6355-0060-01	MHDM35-09-HDP15-K
HD 26	6355-0060-02	MHDM35-15-HDP26-K
HD 44	6355-0060-03	MHDM35-25-HDP44-K
HD 62	6355-0060-04	MHDM35-37-HDP62-K

Size:	P/N - Kitted:	Product Code - FEMALE Conn. Kit
HD 15	6355-0060-11	MHDM35-09-HDS15-K
HD 26	6355-0060-12	MHDM35-15-HDS26-K
HD 44	6355-0060-13	MHDM35-25-HDS44-K
HD 62	6355-0060-14	MHDM35-37-HDS62-K