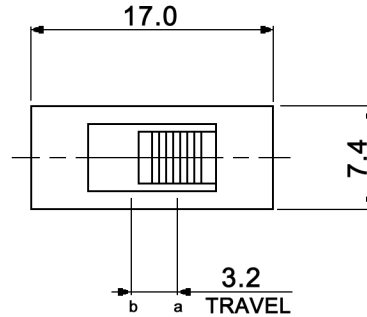
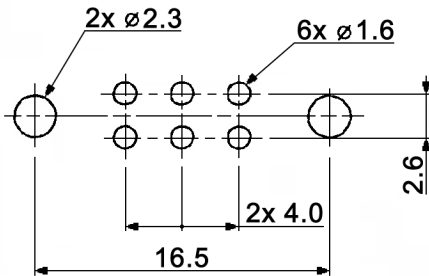


HOLE LAYOUT $\oplus 0.05$



Specifications:

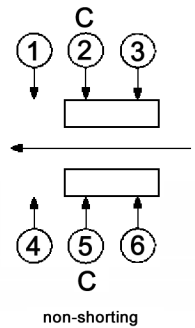
- Contact rating: 0.3A, 30V DC
- Contact resistance: 30mOhm max.
- Insulation resistance: 100MOhm min. at 500V DC for 1 minute
- Dielectric strength: 500V AC (50/60Hz, 2mA) for 1 minute
- Operating temperature: -20°C to +85°C
- Mechanical life: 10 000 cycles
- Operating force: 250 +/-100gf
- Soldering conditions: no pre-heat

Material:

- wave soldering: 260 +/-5°C, 5 +/-1sec.
- Terminal: brass strip, silver plated
- Base: phenolic resin, natural
- Contact plate: brass strip, silver plated
- Spring: SWC, temper
- Frame: steel, nickel plated
- Slider: POM, black

CIRCUIT DIAGRAM

C: COMMON PIN
BOTTOM VIEW



| | | |
|---|-------|------|
| Tolerances: up to 10: ±0.2mm above 10-50: ±0.3mm | Date | Name |
| | 02/11 | dr |
| | | |
| | | |

MFP 201 N

knitter-switch

30 23 01

Page

1/1

Modifications Date Name

