

# M3021-000005-100PG ✓ ACTIVE

MEAS | MEAS MSP300

TE Internal #: M3021-000005-100PG

TE Internal Description: PRESS XDCCR M3021-000005-100PG

Pressure Transducer With Cable

[View on TE.com >](#)



Sensors > Pressure Sensors > Pressure Transducers > Pressure Transducer With Cable



Pressure Transducer Sensor Type: **Industrial Pressure Transducers**

Pressure: [ 100 psi ]

Output/Span: 0 – 100 mV

Pressure Type: **Gage**

Pressure Accuracy:  $\pm 1\%$  Span

[All Pressure Transducer With Cable \(21\)](#)

## Features

### Product Type Features

Pressure Transducer Sensor Type	Industrial Pressure Transducers
Pressure Type	Gage

### Configuration Features

Electrical Connection	Cable 2 ft
Pressure Port/Fitting	1/4 MNPT

### Electrical Characteristics

Pressure Transducer Supply Voltage	5 V
------------------------------------	-----

### Body Features

Port Material	17-4PH
---------------	--------

### Dimensions

Dimensions	22.23 x 22.23 x 55.88 mm [.87 x .87 x 2.2 in]
------------	---

### Usage Conditions

Operating Temperature Range	-20 – 85 °C [-4 – 185 °F]
-----------------------------	---------------------------

### Operation/Application

Proof Pressure Range	2X Rated
	100 psi



Output/Span	0 – 100 mV
Pressure Accuracy	±1% Span

### Product Compliance

[For compliance documentation, visit the product page on TE.com>](#)

EU RoHS Directive 2011/65/EU	Compliant with Exemptions
EU ELV Directive 2000/53/EC	Not Yet Reviewed
China RoHS 2 Directive MIIT Order No 32, 2016	Restricted Materials Above Threshold
EU REACH Regulation (EC) No. 1907/2006	<p>Current ECHA Candidate List: JAN 2022 (223)</p> <p>Candidate List Declared Against: JUN 2020 (209)</p> <p>SVHC &gt; Threshold:</p> <p>Dodecamethylcyclohexasiloxane (D6) (.85% in 736 RED GLUE)</p> <p>Pb (4% in Component)</p> <p><b>Article Safe Usage Statements:</b>                      Do not eat, drink or smoke when using this product. Wash thoroughly after handling. Recycle if possible and dispose of the article by following all applicable governmental regulations relevant to your geographic location.</p>

Halogen Content	Not Yet Reviewed for halogen content
Solder Process Capability	Not reviewed for solder process capability

#### Product Compliance Disclaimer

This information is provided based on reasonable inquiry of our suppliers and represents our current actual knowledge based on the information they provided. This information is subject to change. The part numbers that TE has identified as EU RoHS compliant have a maximum concentration of 0.1% by weight in homogenous materials for lead, hexavalent chromium, mercury, PBB, PBDE, DBP, BBP, DEHP, DIBP, and 0.01% for cadmium, or qualify for an exemption to these limits as defined in the Annexes of Directive 2011/65/EU (RoHS2). Finished electrical and electronic equipment products will be CE marked as required by Directive 2011/65/EU. Components may not be CE marked. Additionally, the part numbers that TE has identified as EU ELV compliant have a maximum concentration of 0.1% by weight in homogenous materials for lead, hexavalent chromium, and mercury, and 0.01% for cadmium, or qualify for an exemption to these limits as defined in the Annexes of Directive 2000/53/EC (ELV). Regarding the REACH Regulation, the information TE provides on SVHC in articles for this part number is based on the latest European Chemicals Agency (ECHA) 'Guidance on requirements for substances in articles' posted at this URL: <https://echa.europa.eu/guidance-documents/guidance-on-reach>

### Compatible Parts

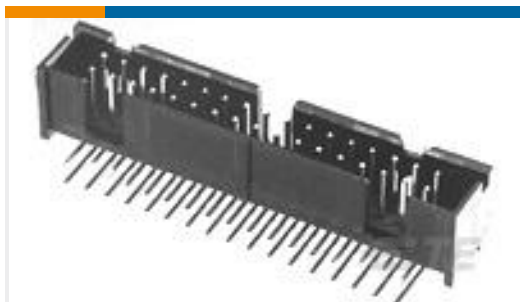


## Also in the Series | MEAS MSP300



Pressure Transducers(21)

## Customers Also Bought



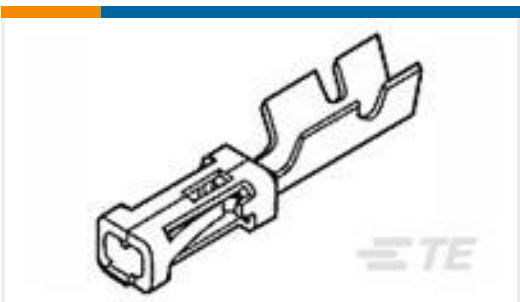
TE Part #5103310-2  
A/L LOW PRO HDR 14P RA BLACK



TE Part #1658621-6  
26 NOVO MIL/CTR 15DP,LEAD FREE



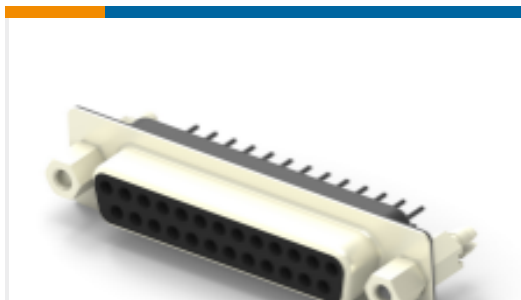
TE Part #102387-1  
10 MODIV HSG COMP DR .100 POL



TE Part #87666-5  
MOD IV RECP PLTD 15 SEL



TE Part #1838839-2  
M8 MtI FEMALE PNL CONN, SLDR  
Rear (Hex)



TE Part #2301841-2  
AMPL REC HD20, VERT, 25P, B/L,4-40  
S/LOC



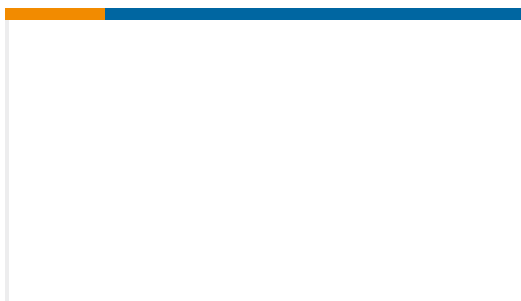
TE Part #T4110002051-000  
M12,FEMALE,STRAIGHT,A CODE,5P,  
PG9,GOLD



TE Part #YDTS26F09-98SNV001  
PLUG ASSY



TE Part #1-329632-2  
LOCKWASHER, PLATED



TE Part #M3021-000005-2K5PG  
PRESS XDCR M3021-000005-2K5PG

## Documents

[CAD Files](#)

[3D PDF](#)

[3D](#)

[Customer View Model](#)

[ENG\\_CVM\\_CVM\\_M3021-000005-100PG\\_H.2d\\_dxf.zip](#)

[English](#)

[Customer View Model](#)



[ENG\\_CVM\\_CVM\\_M3021-000005-100PG\\_H.3d\\_igs.zip](#)

English

**Customer View Model**

[ENG\\_CVM\\_CVM\\_M3021-000005-100PG\\_H.3d\\_stp.zip](#)

English

By downloading the CAD file I accept and agree to the [Terms and Conditions](#) of use.

---

**Datasheets & Catalog Pages**

[MSP300](#)

English