

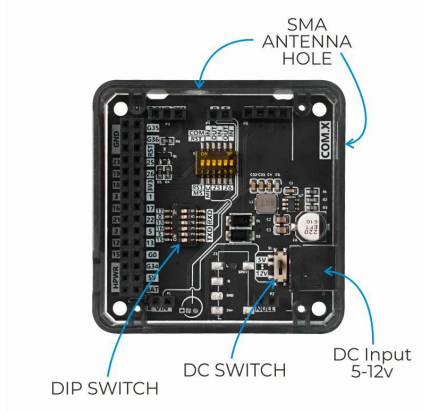
# COM GSM

SKU:M031-D



## Description

**COM GSM** is a stackable 2G communication module, with the SIM800C communication module built-in. The working frequency of COM GSM is GSM/GPRS 850/900/1800/1900MHz, and it can transmit SMS and data information with low power consumption. The module has a DC power input and can provide 5V-12V power supply through an external power supply. In order to facilitate the user to configure the pins, the DIP switch is used to set the pins. This module is especially suitable for remote meter reading, smart wearables, smart parking, municipal management and other IoT industries with ultra-low power consumption and small size as the core requirements.



COM GSM RXD/TXD can be connected to M5Stack's UART (TX(0/13/17)RX(5/15/16)) by setting the DIP switch. Since these GPIO in **M5Stack Fire** 16/17 are connected to PSRAM by default, conflicts may occur when using GSM. It is recommended to use any set of UART pins in the remaining two groups.

The DIP switch on the right is invalid for the GSM module, no need to set.

## Product Features

- Stackable design
- Support SMS text and data transmission
- Independent external power supply
- AT command control
- SIM card type: MicroSIM
- Status signal: two LED indicators (power/network status)
- Power supply voltage: 3.4-4.4V
- Typical power consumption in sleep mode: 0.88mA
- External antenna: SMA antenna 2.5dBi
- Serial communication: UART 115200bps
- Operating temperature range: -40°C to +85°C

- Frequency band:
  - Quad-band 850/900/1800/1900MHz
  - GPRS multi-slot class 12/10
  - GPRS mobile station class B
- data transmission:
  - PRS class 12: Maximum 85.6 kbps (uplink/downlink rate)
    - Support PBCCH (Packet Broadcast Control Channel)
    - Coding scheme: CS 1, 2, 3, 4
    - Integrated TCP/IP TCP/IP, UDP, HTTP, FTP protocol
    - Support USSD (Unstructured Supplementary Services Data)

## | Include

- 1x COM GSM module
- 1x SMA antenna

## | Applications

- Remote meter reading system
- Automatic Web Spider SMS-notifier
- Wireless communication

## | Specification

Resources	Parameter
Frequency band	GSM/GPRS 850/900/1800/1900MHz
Network protocol	TCP/IP/UDP/FTP/HTTP etc.
Communication	UART 115200bps
Antenna Gain	2.5dB 1880-1900MHZ/2320-2370MHZ 2575-2635MHZ
Net Weight	40g
Gross weight	75g
Module Size	54*54*13.2mm
Package Size	165*60*36mm

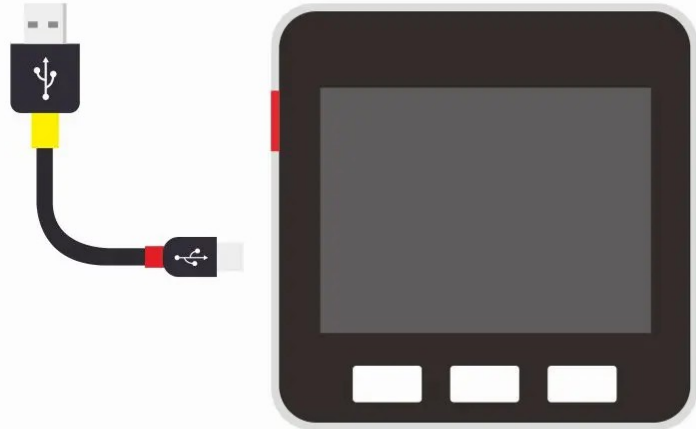
## | EasyLoader

EasyLoader is a concise and fast program writer, which has a built-in case program related to the product. It can be burned to the main control by simple steps to perform a series of function verification. Please install the corresponding driver according to the device type. M5Core host [Please click here to view the CP210X driver installation tutorial](#), M5StickC/V/T/ATOM series can be used without driver)

## 2, Select COM



## 1, Downloads



Core \ M5StickC \ M5StickV...

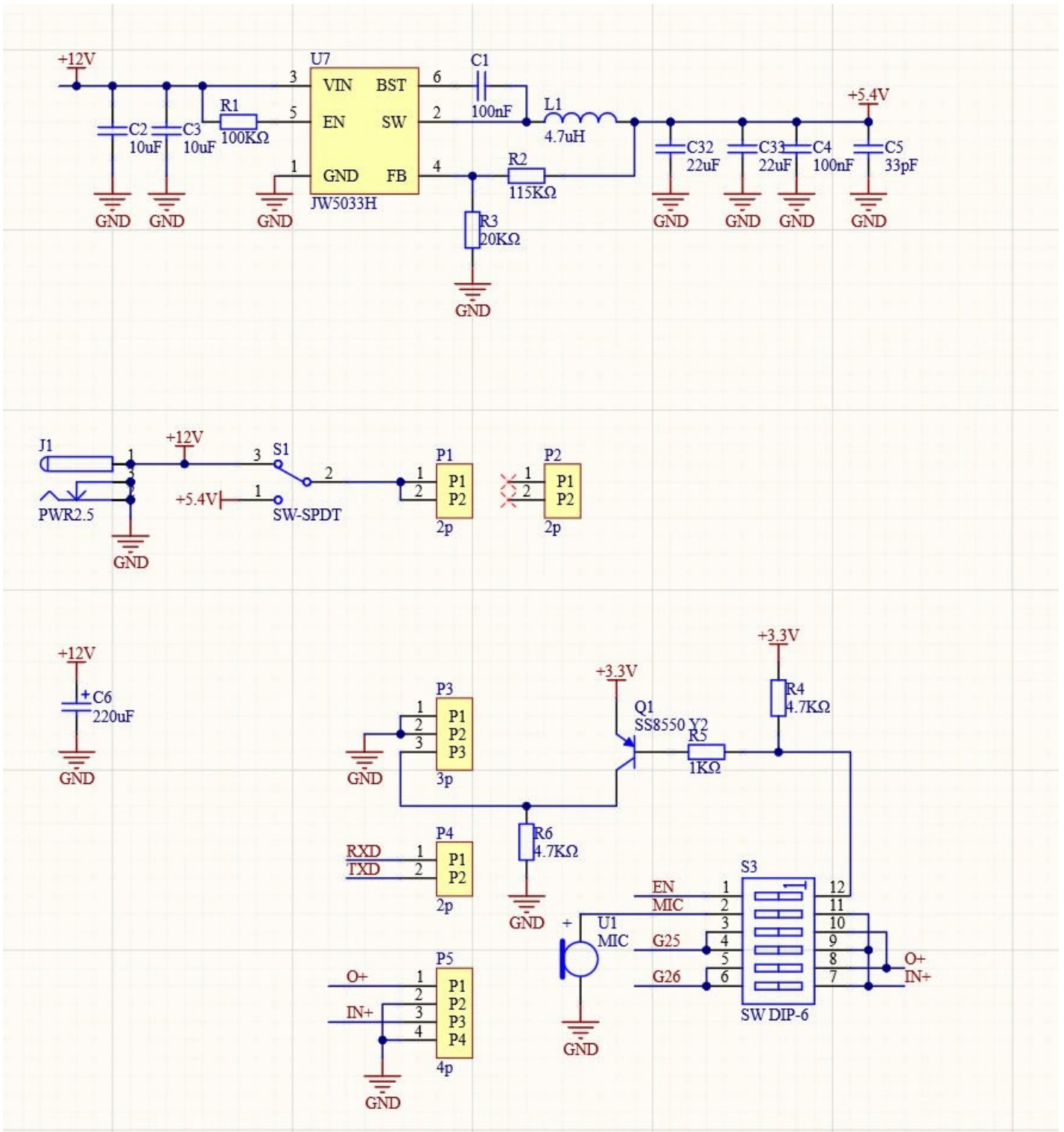
## 3, Burn Firmware

[Windows](#) [MacOS](#)

### | Related Link

- **Datasheet**
  - [SIM800C datasheet](#)
- **AT Command**
  - [SIM800C AT Command](#)

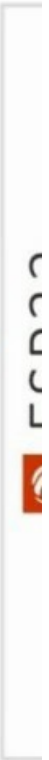
### | Schematic



### PinMap

M5Stack	TX(GPIO0/13/17)	RX(GPIO5/15/16)	5V	GND
COM	RX	TX	VIN	GND
GSM				

### | MBUS PinMap



## | Example

### 1. Arduino

To get complete code, please click [here](#)

Last updated: 2020-12-23