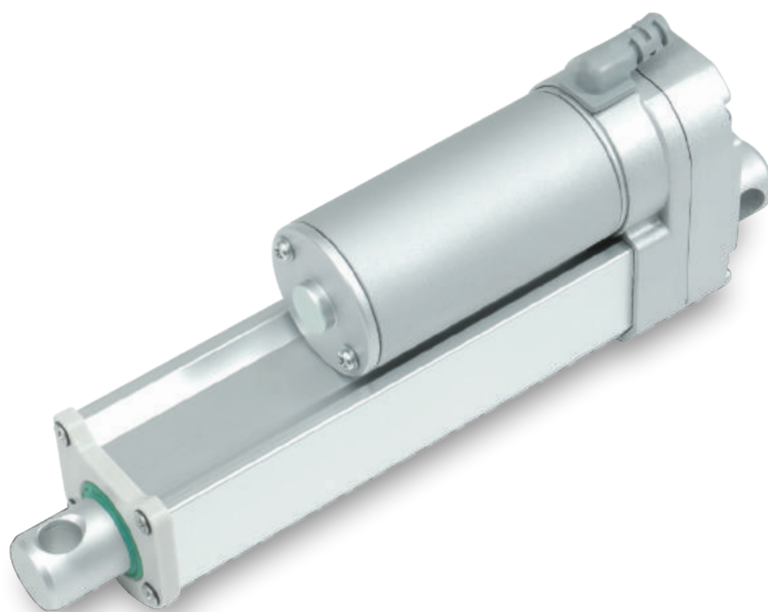


Actuator

LD20

LD20 is a compact actuator with high load capability which is designed for use in industrial, homecare and furniture. It's an ideal solution for the applications where installation space is limited, such as window opener or adjustable car driver seat.



Feature

- Main applications: Industrial, homecare, furniture
- Input voltage: 24V DC / 12V DC
- Max. load: 2500N (push / pull)
- Max. speed at no load: 27 mm/sec
- Max. speed at full load: 4.4 mm/sec @ 2500N
- Stroke: 100 ~ 300 mm (Max. 300 mm)
- Max. current: 4.6A @ 12V DC
- Noise level: ≤ 70 dB
- IP Protection level: IP65
- Color: Aluminum grey
- Preset limit switches
- Duty cycle: 25%, max.1 min continuous operation in 4 min.
- Ambient operation temperature: $-25^{\circ}\text{C} \sim +65^{\circ}\text{C}$
- Certified: CE marking, EMC Directive 2014/30/EU

Option

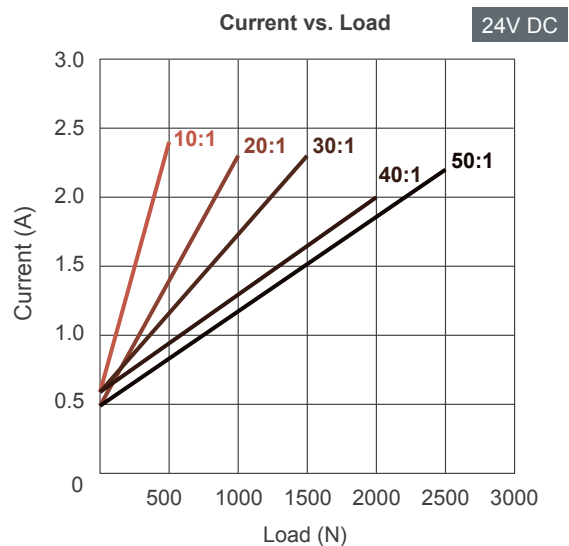
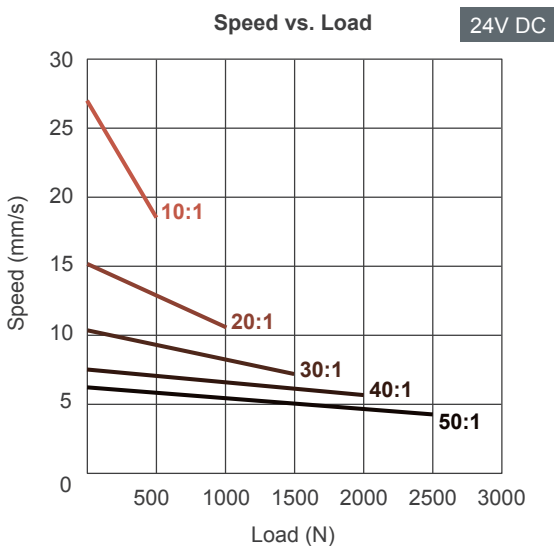
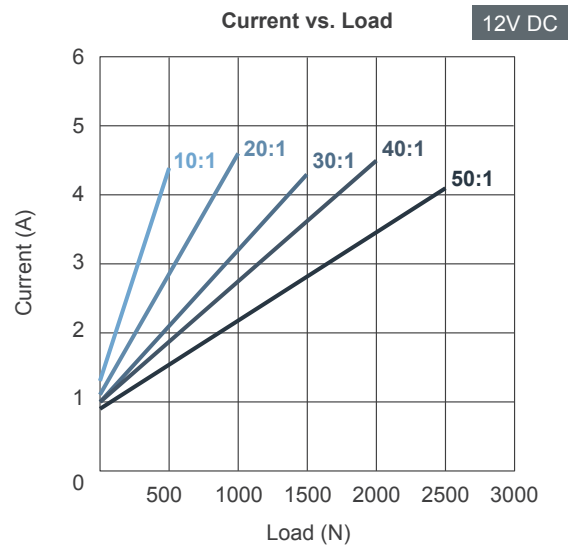
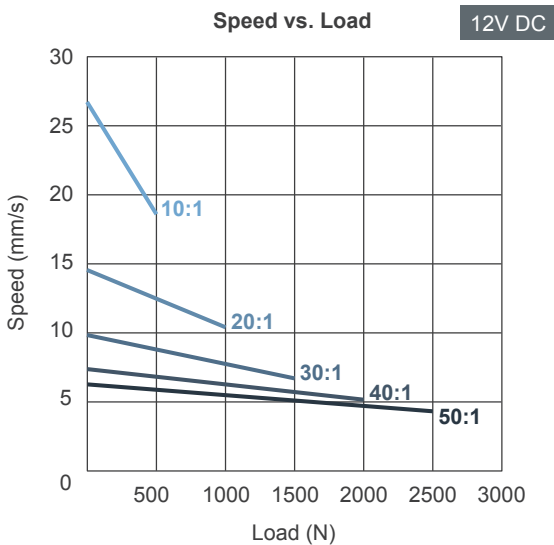
- Positioning signal feedback with Hall effect sensor x 1
- Positioning signal feedback with Hall effect sensor x 2
- Analog positioning feedback with Potentiometer (POT)
- Mounting bracket

Compatibility

Product	Model	LD20 spec
Control box	T control, CS1, CS2, CB3T, CB4M, CBT2	Without positioning sensor feedback 4-pin MOTECK F type DIN plug
	CB3T-SY, CB4M-S, CB4M-B	Positioning feedback with Hall effect sensor x 2 6-pin MOTECK F type DIN plug

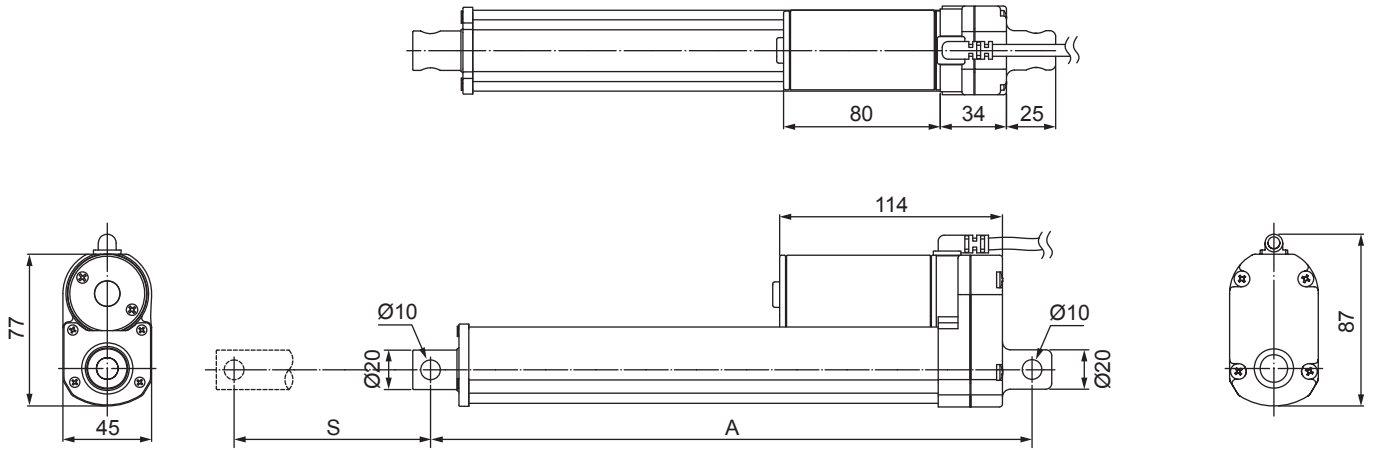
Performance Data

Model No.	Gear Ratio	Push / Pull Max. (N)	Typical Speed (mm/s)				Typical Current (A)			
			No load		Full load		No load		Full load	
			12V	24V	12V	24V	12V	24V	12V	24V
LD20-XX-10-G4-X.....	10:1	500	26.8	27.0	18.6	18.7	1.3	0.6	4.4	2.4
LD20-XX-20-G4-X.....	20:1	1000	14.7	15.1	10.4	10.7	1.1	0.5	4.6	2.3
LD20-XX-30-G4-X.....	30:1	1500	9.9	10.3	6.8	7.2	1.0	0.6	4.3	2.3
LD20-XX-40-G4-X.....	40:1	2000	7.4	7.6	5.1	5.7	1.0	0.6	4.5	2.0
LD20-XX-50-G4-X.....	50:1	2500	6.2	6.1	4.4	4.4	0.9	0.5	4.1	2.2

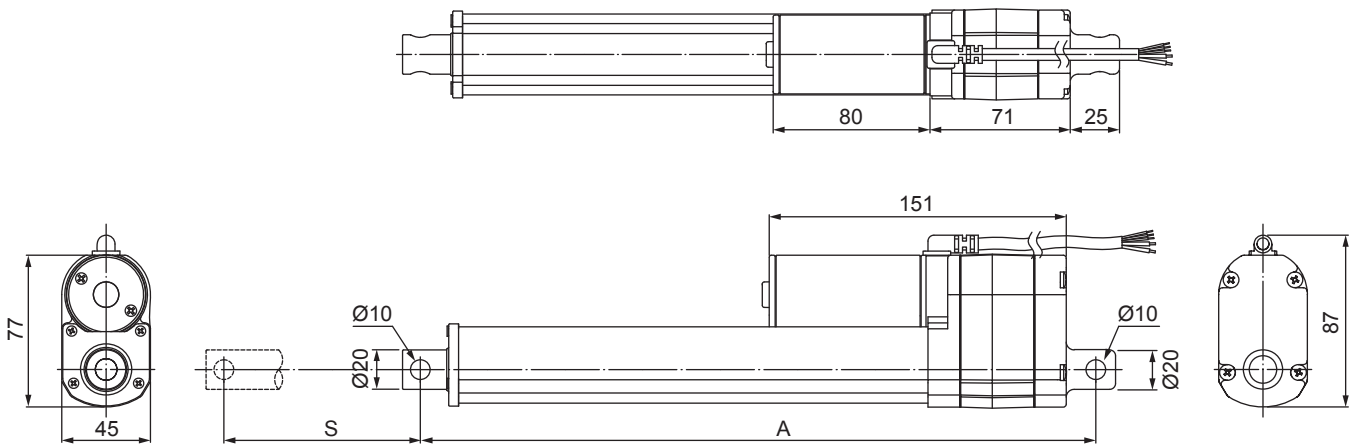


Dimensions

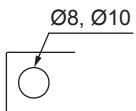
Standard					
Stroke (S)	100 (4")	150 (6")	200 (8")	250 (10")	300 (12")
Retracted Length (A)	205	255	305	355	405



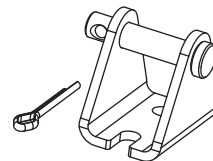
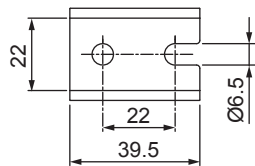
With Potentiometer (POT)					
Stroke (S)	100 (4")	150 (6")	200 (8")	250 (10")	300 (12")
Retracted Length (A)	242	292	342	392	442



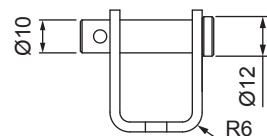
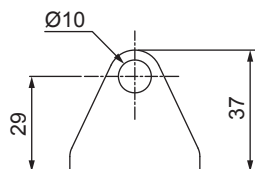
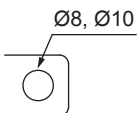
Front connector



Mounting bracket

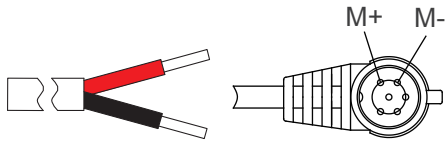


Rear connector



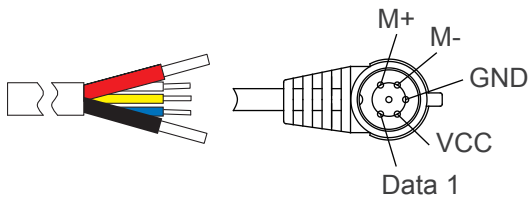
Wiring & Cable plug

Standard



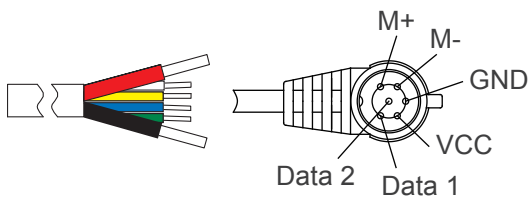
Power	
Red	Black
M+	M-

With Hall effect sensor x 1



Power		Signal		
Red	Black	White	Yellow	Blue
M+	M-	GND	VCC	Data 1

With Hall effect sensor x 2

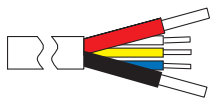


Power		Signal			
Red	Black	White	Yellow	Blue	Green
M+	M-	GND	VCC	Data 1	Data 2

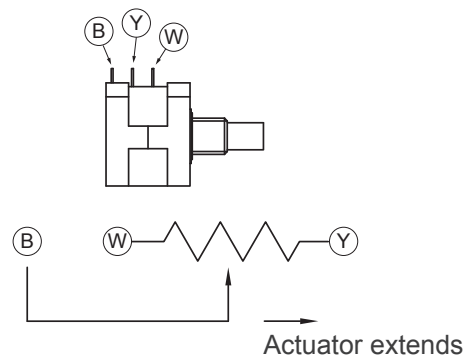
Model No.	Resolution (pulses/mm)
LD20-XX-10-G4-XXX-XXXXXX	2.56
LD20-XX-20-G4-XXX-XXXXXX	4.75
LD20-XX-30-G4-XXX-XXXXXX	7.16
LD20-XX-40-G4-XXX-XXXXXX	9.66
LD20-XX-50-G4-XXX-XXXXXX	11.82

With Potentiometer (POT)

The resistance value between blue and white wires increases when actuator extends, the resistance between blue and yellow wires decreases at the mean time.



Power		Signal		
Red	Black	White	Yellow	Blue
M+	M-	GND	VCC	Data



Stroke (mm)	Resistance (Tolerance: ±0.3KΩ)
100	0.3 ~ 8.8K
150	0.3 ~ 9.6K
200	0.3 ~ 8.9K
250	0.3 ~ 9.5K
300	0.3 ~ 9.5K

* Remarks:

Connect Red (M+) to '+' & Black (M-) to '-' of DC power, the actuator will extend.

Ordering Key

LD20 - 24 - 20 - G4 - 100 - A A D 0 3

Input voltage	24: 24V DC 12: 12V DC
Gear ratio	10: 10:1 20: 20:1 30: 30:1 40: 40:1 50: 50:1
Motor and Spindle type	G4 (Refer to Performance Data)
Stroke	100: 100 mm 150: 150 mm 200: 200 mm 250: 250 mm 300: 300 mm
Front connector	1: Ø10 mm 8: Ø8 mm A: Mounting bracket, Ø10 mm (Refer to Dimensions)
Rear connector	1: Ø10 mm 8: Ø8 mm A: Mounting bracket, Ø10 mm (Refer to Dimensions)
Positioning feedback	0: None S: Hall effect sensor x 1 D: Hall effect sensor x 2 P: Potentiometer
Reserved	0: No meaning
Cable length	9: 900 mm 3: 300 mm

Terms of Use

The user is responsible for application suitability of Moteck products. As ongoing improvement process continues, products listed on the Moteck website are subject to change without prior notice. Moteck reserves the right to terminate the sales or remove any product displayed on the website, or listed in its catalogues.