

# Product Info

## PI.16005GB

From Olivier Gaspar

Date 24/11/2016

AVAILABLE  
2017 April 1st

Reference: L20SC10L,L20SC20L, L20SC40L, L20SC50L, L20SC60L, L20SC10M,L20SC20M, L20SC40M, L20SC50M, L20SC60M, L20SC10H,L20SC20H, L20SC40H, L20SC50H, L20SC60H

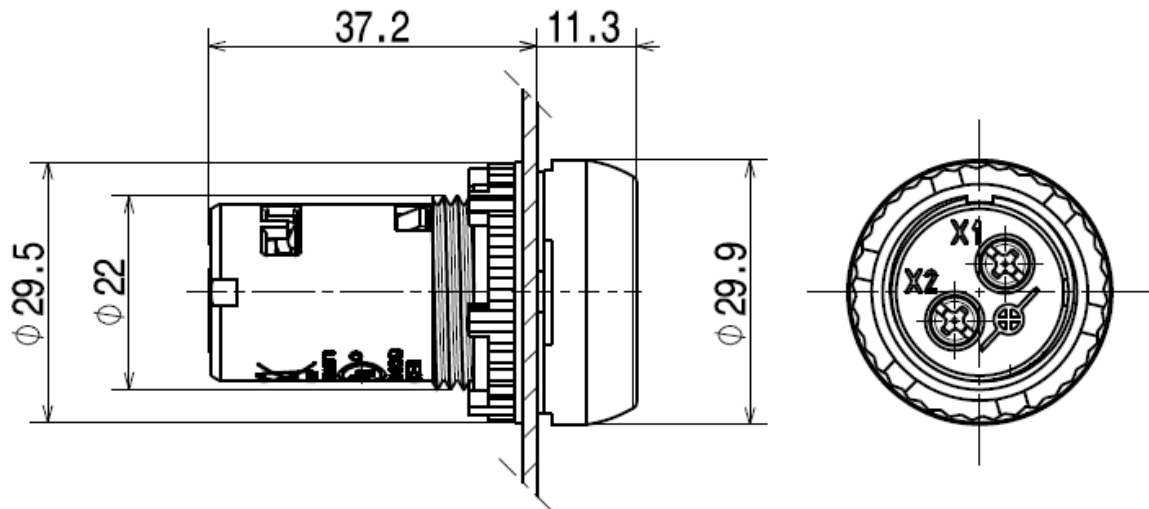
Designation: New One Piece Pilot Lights 24V, 130V and 230V

Subject: Ø22mm One Piece Pilot Lights with integrated led 24V, 130V and 230V



Baco Part Number	Order management Number	Description
L20SC10L	224601	24V AC/DC Red One piece Pilot Light
L20SC20L	224602	24V AC/DC Green One piece Pilot Light
L20SC40L	224604	24V AC/DC Yellow One piece Pilot Light
L20SC50L	224600	24V AC/DC White One piece Pilot Light
L20SC60L	224603	24V AC/DC Blue One piece Pilot Light
L20SC10M	224606	130V AC/DC Red One piece Pilot Light
L20SC20M	224607	130V AC/DC Green One piece Pilot Light
L20SC40M	224609	130V AC/DC Yellow One piece Pilot Light
L20SC50M	224605	130V AC/DC White One piece Pilot Light
L20SC60M	224608	130V AC/DC Blue One piece Pilot Light
L20SC10H	224611	230V AC/DC Red One piece Pilot Light
L20SC20H	224612	230V AC/DC Green One piece Pilot Light
L20SC40H	224614	230V AC/DC Yellow One piece Pilot Light
L20SC50H	224610	230V AC/DC White One piece Pilot Light
L20SC60H	224613	230V AC/DC Blue One piece Pilot Light

**Measurement:** (mm)



### **Technical characteristics:**

#### **Protection index :**

- IP 66 and IP69K following IEC 60529
- NEMA 4x,12,13
- IP 20 at the back of panel following IEC 60529

#### **Protection against mechanical impact:**

- IK 05 following IEC 62262

#### **Operating voltage :**

- 24 V AC/DC (+/- 10%)
  - 130 V AC/DC\* (+/- 10%)
  - 230 V AC/DC\* (+/- 10%)
- \*Declarative rating

#### **Terminals :**

- Screw terminals

#### **Tightening torque for terminals :**

- Recommended 1.2N.m.

#### **Consumption :**

- 24V : 4.6mA
- 130V : 5.2mA
- 230V : 4.6mA

#### **Insulation voltage :**

- 300 V

#### **Pollution degree :**

- 3

#### **Tightening torque for locking ring :**

- Recommended 3 N.m. or tightened with fixing tool to hand tight after pressure point plus another half turn

#### **Electrical insulation :**

- Classe II according to IEC 60947-5-1

#### **Operating temperature :**

- minimum : -25°C maximum : +70°C

#### **Storage Temperature :**

- minimum : -40°C maximum : +70°C

#### **Cold test :**

- according to IEC 60068-2-1

#### **Dry heat test :**

- according to IEC 60068-2-2

#### **Constant humidity test :**

- according to IEC 60068-2-3

#### **Materials:**

- Polycarbonate (Lens)
- Polyamide 66 , fiber glass loaded (body)

#### **Certifications and conformity:**

- CB test (IEC 60947-5-1); CE; CCC; UL (USA and Canada) and BV
- Compliant with RoHs and Reach

#### **Packaging:**

- Minimum Order Quantity=10

#### **Guarantee:**

- 10 years guarantee

**On demand engraving:**

With Symbol code to be added at the end of the part number

Baco Part Number	Order management Number(Generic code)	Description
L20SC31Lxxx	100641	24V AC/DC Red One piece Pilot Light engraved
L20SC32Lxxx	100641	24V AC/DC Green One piece Pilot Light engraved
L20SC34Lxxx	100641	24V AC/DC Yellow One piece Pilot Light engraved
L20SC35Lxxx	100641	24V AC/DC White One piece Pilot Light engraved
L20SC36Lxxx	100641	24V AC/DC Blue One piece Pilot Light engraved
L20SC31Mxxx	100641	130V AC/DC Red One piece Pilot Light engraved
L20SC32Mxxx	100641	130V AC/DC Green One piece Pilot Light engraved
L20SC34Mxxx	100641	130V AC/DC Yellow One piece Pilot Light engraved
L20SC35Mxxx	100641	130V AC/DC White One piece Pilot Light engraved
L20SC36Mxxx	100641	130V AC/DC Blue One piece Pilot Light engraved
L20SC31Hxxx	100641	230V AC/DC Red One piece Pilot Light engraved
L20SC32Hxxx	100641	230V AC/DC Green One piece Pilot Light engraved
L20SC34Hxxx	100641	230V AC/DC Yellow One piece Pilot Light engraved
L20SC35Hxxx	100641	230V AC/DC White One piece Pilot Light engraved
L20SC36Hxxx	100641	230V AC/DC Blue One piece Pilot Light engraved