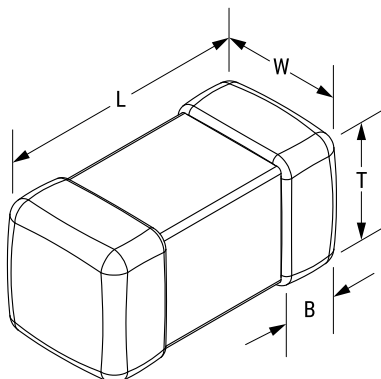


**KEMET Part Number: L0603B100KDWFT**  
(L0603B100KDWFT)

**KEMET**

a YAGEO company

KEMET, L-DWF, Power, 10 uH, 10%



Dimensions	
Chip Size	0603
L	1.6mm +/-0.2mm
W	0.8mm +/-0.2mm
T	0.8mm +/-0.2mm
LL	0.4mm +/-0.15mm
B	0.4mm +/-0.15mm

Packaging Specifications	
Packaging:	T&R
Packaging Quantity:	3000

General Information	
Series:	L-DWF
Style:	SMD Chip
Description:	Surface Mount Inductor
Features:	Bottom Surface Electrode
RoHS:	Yes

Specifications	
Inductance:	10 uH (2.52 MHz)
Inductance Tolerance:	10%
Temperature Range:	-40/+105°C
Current:	115 mAmps (Isat, 30% Drop In Inductance), 380 mAmps (Irms, 40C Rise By Self Heating)
DC Resistance:	0.36 Ohms
Self-Resonant Frequency:	32 MHz

Statements of suitability for certain applications are based on our knowledge of typical operating conditions for such applications, but are not intended to constitute - and we specifically disclaim - any warranty concerning suitability for a specific customer application or use. This Information is intended for use only by customers who have the requisite experience and capability to determine the correct products for their application. Any technical advice inferred from this Information or otherwise provided by us with reference to the use of our products is given gratis, and we assume no obligation or liability for the advice given or results obtained.

**KEMET**

a YAGEO company