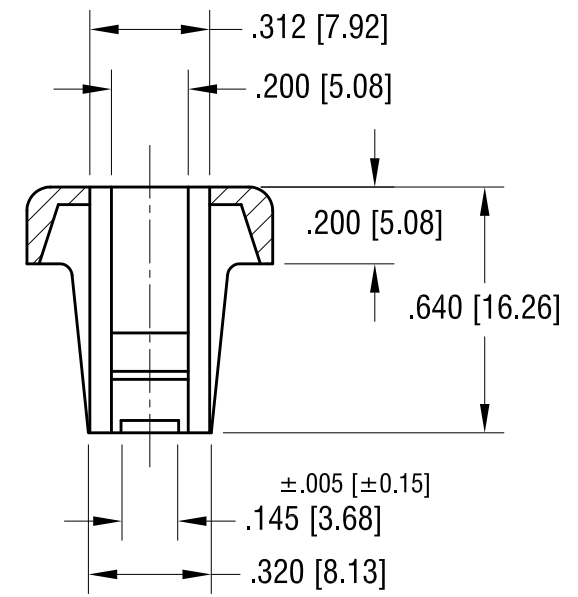
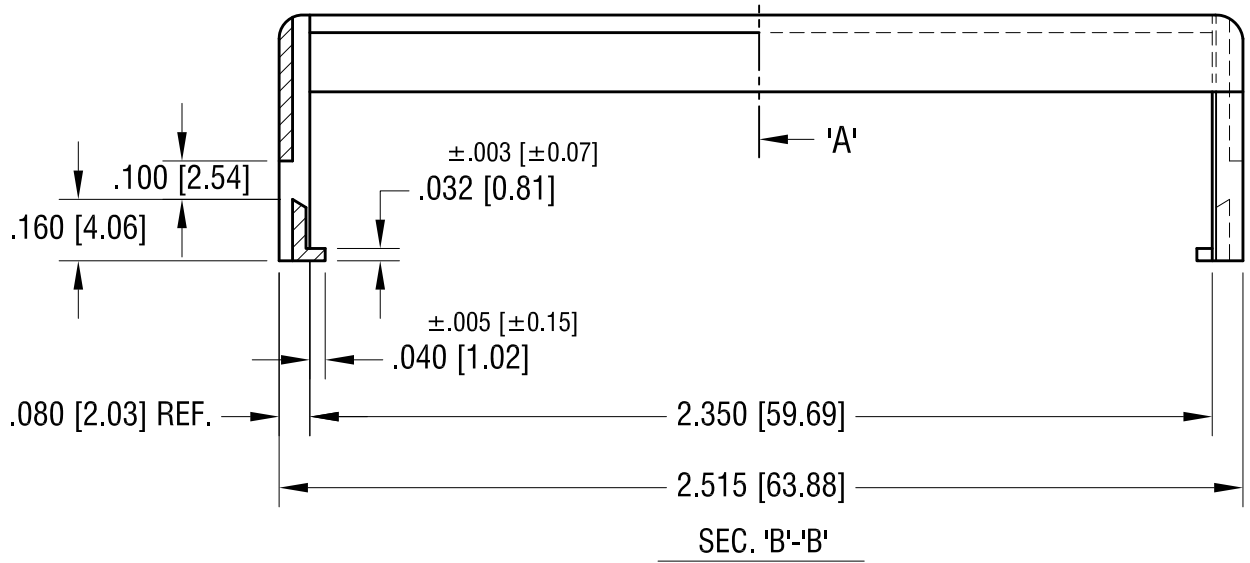
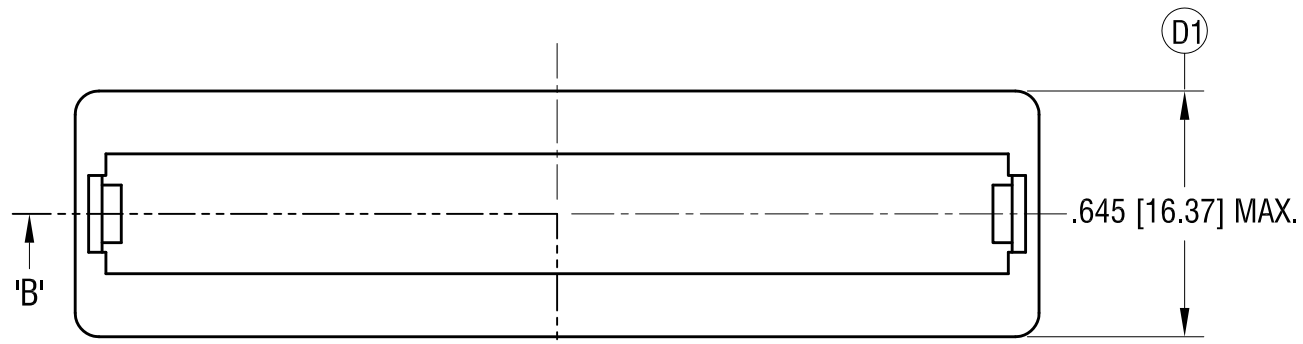


DATE	DESCRIPTION	REV.
9.9.05	CHANGE AS PER ECN 05-066	C
7.29.16	CHANGE AS PER ECN16-077 D1 WAS 640±.010	D



KEYSTONE ELECTRONICS CORP.			
www.keyelco.com • ASTORIA, N.Y. 11105-2017 • Tel (718) 956-8900			
PART NAME			
COVER, 'AA' BATTERY HOLDER			
MATERIAL			
PBT, BLACK UL 94V-0			
FINISH		DRN BY	DATE
-		BOONE	9.25.93
		APPD	SCALE
		LN	2X
TOLERANCES		INCH	[MM]
DECIMAL		± .010	[± 0.25]
ANGULAR		± 1°	
UNLESS OTHERWISE SPECIFIED			
CODE	DWG NO.		
C	1028C		

THIS DOCUMENT IS THE PROPERTY OF KEYSTONE ELECTRONICS CORP. AND SHALL NOT BE REPRODUCED, DISTRIBUTED OR USED AS A BASIS FOR MANUFACTURE WITHOUT PRIOR WRITTEN PERMISSION FROM KEYSTONE ELECTRONICS CORP.