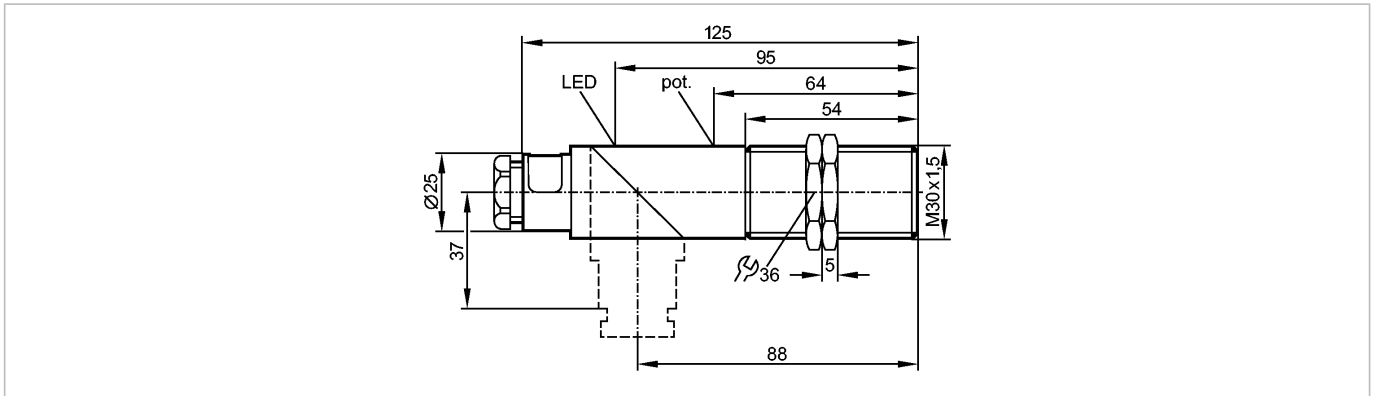


**KI5023**

KIE3015-FPKG/NI/55V

Capacitive sensors



Made in Germany

**Product characteristics**

Capacitive sensor
Plastic thread M30 x 1.5
Terminals
Increased immunity to conducted radio frequency interference
Sensing range 15 mm; [nf] non-flush mountable

**Electrical data**

Electrical design	DC PNP
Operating voltage [V]	10...55 DC **)
Current consumption [mA]	< 14 (24 V)
Protection class	II
Reverse polarity protection	yes

**Outputs**

Output function	normally open / closed programmable
Voltage drop [V]	< 2.5
Current rating [mA]	250
Short-circuit protection	pulsed
Overload protection	yes
Switching frequency [Hz]	40

**Range**

Sensing range [mm]	15
Real sensing range (Sr) [mm]	15 ± 10 %
Operating distance [mm]	0...12.1

**Accuracy / deviations**

Correction factors	water = 1 / glass approx. 0.4 / ceramics approx. 0.2 / PVC approx. 0.2
Hysteresis [% of Sr]	1...15
Switch-point drift [% of Sr]	-15...15

**Environment**

Ambient temperature [°C]	-25...70
Protection	IP 65

**Tests / approvals**

EMC	EN 60947-5-2
MTTF [Years]	743

**Mechanical data**

**KI5023**

KIE3015-FPKG/NI/55V

**Capacitive sensors**

Mounting	non-flush mountable
Housing materials	PBT; end cap: polycarbonate
Weight [kg]	0.137

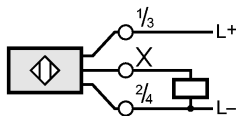
**Displays / operating elements**

Output status indication	LED	yellow
--------------------------	-----	--------

**Electrical connection**

Connection	terminals up to 2.5 mm <sup>2</sup> ; cable diameter 7...13 mm, cable gland M20 x 1.5
------------	---

**Wiring**



**Accessories**

Accessories (included)	2 lock nuts; screwdriver
------------------------	--------------------------

**Remarks**

Remarks	** ) cULus - Class 2 source required
---------	--------------------------------------

Pack quantity [piece]	1
-----------------------	---