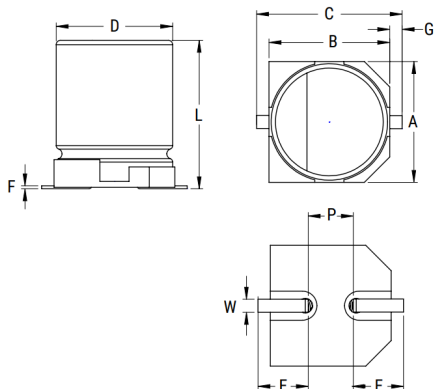


EDK, Aluminum Electrolytic, 470 uF, 20%, 16 VDC, -40/+85°C



| General Information | |
|---------------------|--------------------------------------|
| Supplier: | KEMET |
| Series: | EDK |
| Dielectric: | Aluminum Electrolytic |
| Style: | SMD Can |
| Description: | Surface Mount, Aluminum Electrolytic |
| RoHS: | Yes |
| Lead: | V-Chip |
| AEC-Q200: | No |

| Dimensions | |
|------------|-----------------|
| D | 8mm +/-0.5mm |
| L | 10.2mm +/-0.3mm |
| W | 0.9mm +/-0.2mm |
| F | 0.3mm MAX |
| A | 8.3mm +/-0.2mm |
| B | 8.3mm +/-0.2mm |
| C | 10mm MAX |
| E | 3.4mm +/-0.2mm |
| G | 0.7mm +/-0.2mm |
| P | 3.1mm +/-0.2mm |

| Specifications | |
|--------------------------|--|
| Capacitance: | 470 uF |
| Capacitance Tolerance: | 20% |
| Voltage DC: | 16 VDC, 20 VDC (Surge) |
| Temperature Range: | -40/+85°C |
| Rated Temperature: | 85°C |
| Life: | 2000 Hrs |
| Dissipation Factor: | 20.00% |
| Ripple Current: | 350 mAmps (120Hz), 476 mAmps (120Hz 50C) |
| Leakage Current: | 75.2 uA (2min 20°C) |
| Impedance Ratio at -25C: | 2 |
| Impedance Ratio at -40C: | 4 |
| High Temperature Solder: | Yes |

| Packaging Specifications | |
|--------------------------|------------|
| Packaging: | T&R, 380mm |
| Packaging Quantity: | 500 |