

# ATOM CAN

SKU:K057



## Description

**ATOM CAN** is a CAN bus communication unit that uses the CA-IS3050G transceiver solution (the built-in DC-DC isolation power chip can effectively isolate interference and prevent damage to sensitive circuits). The communication bus can support up to 110 nodes, the signal transmission rate can reach 1Mbps, and it has a variety of electrical line protection functions. It is very suitable for application scenarios such as in-vehicle transportation and security systems.

## Product Features

- Adapt to ATOM Matrix/ATOM Lite
- CAN bus multi-point communication
- Built-in isolated DC-DC
- Signal rate up to 1Mbps
- The common mode voltage range is  $-12V$  to  $12V$
- Protective function:
  - Signal isolation
  - Limiting
  - Overvoltage protection
  - Thermal shutdown
  - Ground loss protection ( $-40V \sim 40V$ )

## Includes

- 1x ATOMIC CAN
- 1x 3.96-4P terminal
- 1x  $120\Omega$  terminal resistor

## Application

- CAN bus communication
- Vehicle equipment control
- Industrial field control

## Specifications

Specifications	Parameters
External port	VH-3.96-4P
CAN transceiver model	CA-IS3050G
Maximum rate	1Mbps
Number of supported nodes	110
Low loop delay	- 150ns
Common mode voltage	-12V ~ 12V
Protection function	Current limit, overvoltage, main dynamic timeout, thermal shutdown
Working temperature	$-55^{\circ}C \sim 125^{\circ}C$
Net weight	14g
Gross weight	33g
Product size	24*48*18mm
Package size	54*54*20mm
Shell material	Plastic (PC )

## EasyLoader

- **Windows**
  - [ATOM\\_CAN\\_RECEIVE](#)
  - [ATOM\\_CAN\\_SENDER](#)

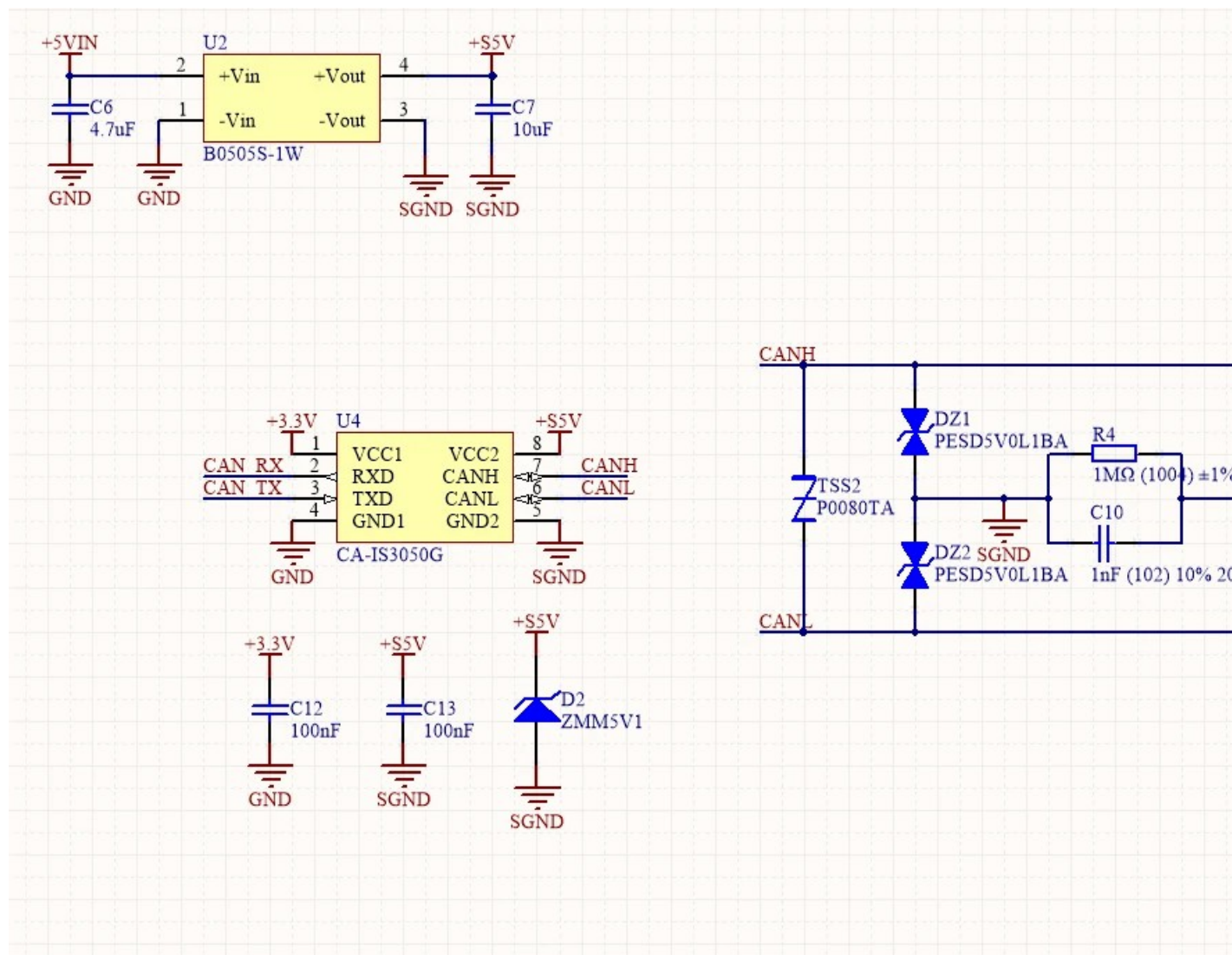
## Related Links

- **Datasheet**
  - [CA-IS3050G](#)

## Pin mapping

ATOM	GPIO22	GPIO19	5V	GND
ATOM CAN	CAN_TX	CAN_RX	5V	GND

## Schematic



## Example

1. Arduino

[Use ATOM CAN for transceiver test](#)

## Video