



**CONNECT AND PROTECT**

**Inpac**

09/2021

  
nvent

**SCHROFF**

# 19" chassis – Inpac

## OVERVIEW

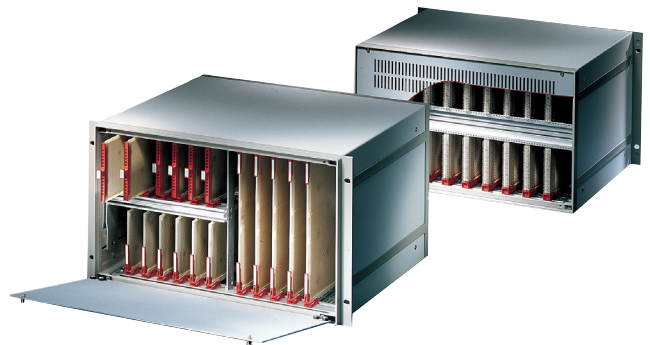
### MAIN KATALOG

- Cabinets . . . . . 1
- Wall mounted cases . . . . . 2
- Accessories for cabinets and wall mounted cases . . 3
- Climate control . . 4
- Electronics cases . . . . . 5
- Subbracks/ 19" chassis . . . . . 6
- Front panels, plug-in units . . . . . 7
- Systems . . . . . 8
- Power supply units . . . . . 9
- Backplanes . . . . . 10
- Connectors, front panel component system . . . . . 11
- Appendix . . . . . 12



Robust 19" chassis, also for board assembly

02192005



Assembly with boards and hinged front panel

02192001

02196001

## STANDARDS

- External dimensions in accordance with:  
IEC 60297-3-101
- Ingress protection IP 20 to IEC 60529
- GND/earthing connectors to:  
DIN EN 50178/VDE 0160  
DIN EN 62368-1/VDE 0805  
DIN EN 61010-1/VDE 0411 part 1  
DIN EN 61010-1A2/VDE 0411 part 1/A1

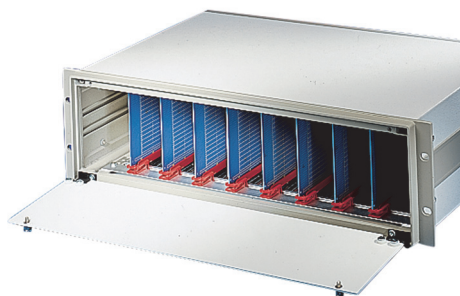
# 19" chassis – Inpac

## OVERVIEW

Overview ..... 6.128

### 19" CHASSIS WITH HIGH MECHANICAL STABILITY

- Also usable as desk-top case
- Robust cases from aluminium die-cast frames to front and rear
- Flexible assembly for standardised board formats or individually, e.g. for mounting plates
- Cost benefit with mounting service and custom processing in ServicePLUS



02192002

#### 19" CHASSIS/DESK-TOP ENCLOSURE

- 2 U, 3 U, 4 U and 6 U heights

inpac  
19" chassis ..... 6.130

Accessories  
Full-width front panels ..... 6.131  
Full-width rear panels 6.131  
Support rails ..... 6.132  
Perforated rails ... 6.132  
GND/earthing kit ... 6.133  
Dimensions ..... 6.136



02192003

#### INPAC BUILT INTO 19" CABINET

#### SERVICEPLUS

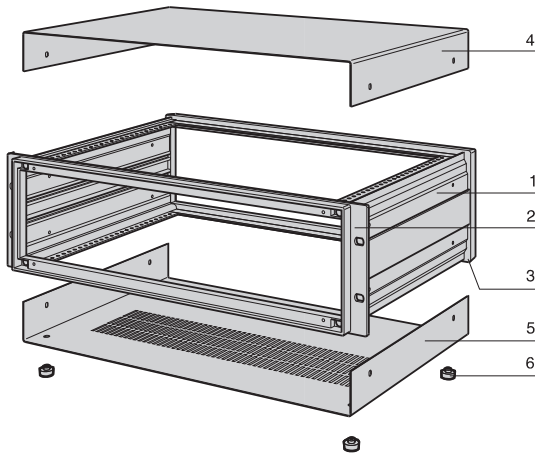
- e.g. individual configuration and assembly from 1 piece
- e.g. printing
- e.g. cut-outs in front or rear panels or cover plates
- e.g. modification (special colours)
- e.g. custom solutions (special depths, electromagnetically shielded applications)

# 19" chassis – Inpac

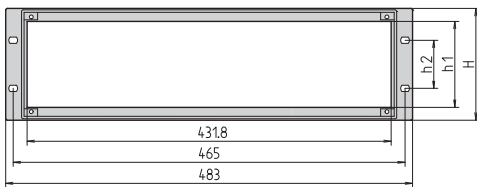
## 19" CHASSIS



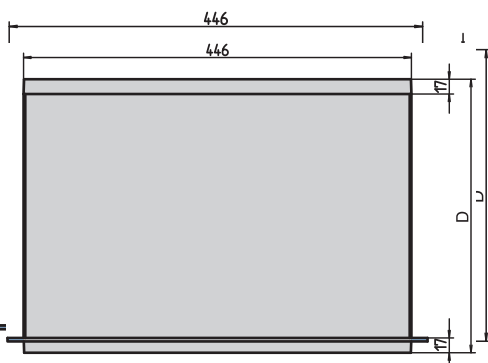
02192006



ipa30632



h1 = useable height



IPA30635

IPA30704



IPA30706

- For assembly with 19" components or individually with mounting plates
- Three rows ventilation slots in base for air inlet

### DELIVERY INCLUDES (Kit)

Item	Qty	Description
1	2	Side panel, Al extrusion, RAL 7030, at 6 U: 2 Al corner profiles, 1 divider plate (steel plate)
2	1	Front frame, Al die-cast, RAL 7030, rear side with counterbores for drill holes to mount handles and front panels
3	1	Rear frame, Al die-cast, RAL 7030
4	1	Cover plate, St, 1 mm, zinc-coated RAL 7035, with GND/earthing connection
5	1	Base plate, St, 1 mm, zinc-coated RAL 7035, with GND/earthing connection
6	4	Case foot with anti-slip protection, PC, UL 94 V-0
7	1	Assembly kit

### ORDER INFORMATION

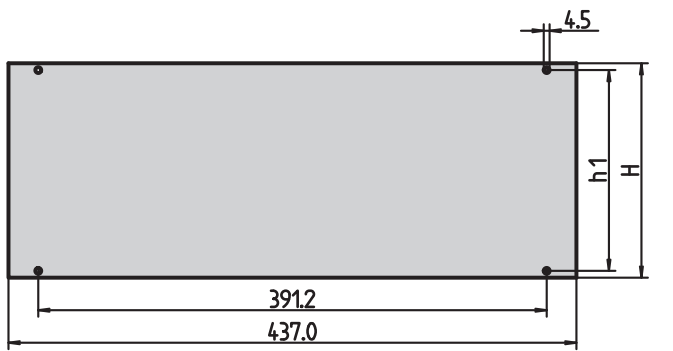
Height H	Height H	h	h1	h2	Depth D	Part no.
U	mm	mm	mm	mm	mm	
2	88.0	86.0	57.5	76.2	254.5	<b>10828-171</b>
2	88.0	86.0	57.5	76.2	314.5	<b>10828-172</b>
2	88.0	86.0	57.5	76.2	374.5	<b>10828-173</b>
3	132.5	130.5	102.0	57.2	254.5	<b>10828-151</b>
3	132.5	130.5	102.0	57.2	314.5	<b>10828-152</b>
3	132.5	130.5	102.0	57.2	374.5	<b>10828-153</b>
3	132.5	130.5	102.0	57.2	434.5	<b>10828-154</b>
4	177.0	174.5	146.5	101.6	254.5	<b>10828-156</b>
4	177.0	174.5	146.5	101.6	314.5	<b>10828-157</b>
4	177.0	174.5	146.5	101.6	374.5	<b>10828-158</b>
4	177.0	174.5	146.5	101.6	434.5	<b>10828-159</b>
6	265.9	263.5	235.4	190.5	374.5	<b>10828-168</b>
6	265.9	263.5	235.4	190.5	434.5	<b>10828-169</b>

### NOTE

- Max. installation space when fitting 19" components is 75 HP
- Scope of delivery includes screws to fix rear and front panels
- Cover- and base plate available in other colors
- Modifications such as breakouts or other dimensions possible
- or mounting / extension parts, see the following pages

# 19" chassis – Inpac

## FRONT PANEL


IPAA2082

### DELIVERY COMPRISES

Item	Qty	Description
1	1	Front panel, Al, 2.5 mm, anodised, cut edges untreated

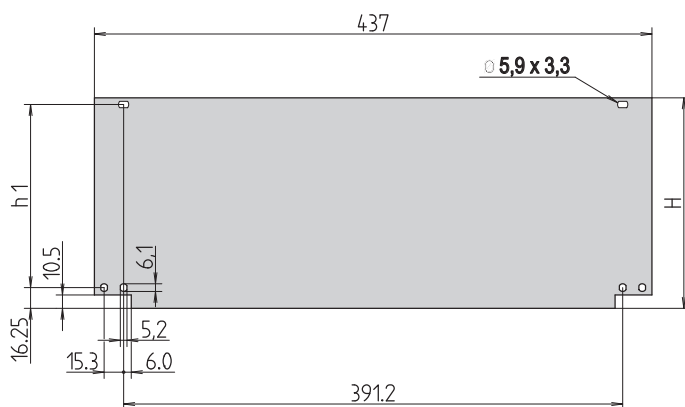
### ORDER INFORMATION

Height U	Height H mm	h1 mm	Part no.
2	76.0	65.6	<b>30828-055</b>
3	120.5	110.0	<b>30828-058</b>
4	165.0	154.5	<b>30828-061</b>
6	253.8	243.4	<b>30828-067</b>

### Note

- The assembly kit for the front panel is included with the 19" chassis

## FRONT PANEL, BOTTOM-HINGED


IPAA2083

### DELIVERY COMPRISES

Item	Qty	Description
1	1	Front panel, hinged, Al, 2.5 mm, anodised, cut edges untreated

### ORDER INFORMATION

Height U	Height H mm	h1 mm	Part no.
2	76.0	54.5	<b>30828-085</b>
3	120.5	99.0	<b>30828-088</b>
4	165.0	143.5	<b>30828-091</b>
6	253.8	232.3	<b>30828-097</b>

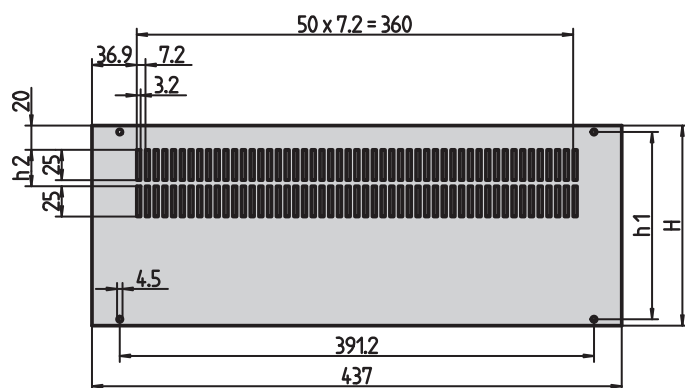
Hinge for front panel PPE, UL 94 V-0,  
PU 1 kit (includes fixing material kit and 2 collar screws)

**20828-028**

### Note

- Please order hinge for front panel separately

## REAR PANEL WITH VENTILATION OPENINGS


IPAA2086

### DELIVERY COMPRISES (kit)

Item	Qty	Description
1	1	Rear panel, incl. assembly kit, Al, 2 mm, anodised, cut edges untreated

### ORDER INFORMATION

Height U	Height H mm	h1 mm	h2 mm	Part no.
2	76.0	65.6	–	<b>30828-070</b>
3	120.5	110.0	–	<b>30828-073</b>
4	165.0	154.5	–	<b>30828-076</b>
6	253.8	243.4	30	<b>30828-082</b>

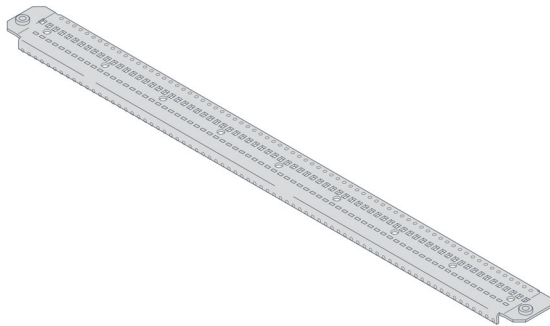
### Note

- The scope of delivery of the 19" chassis includes an assembly kit for the front panel



# 19" chassis – Inpac

## SUPPORT RAIL FOR GUIDE RAILS



02121050

- 4 support rails to fix PCBs with guide rails
- Support rail can also be used to fix a custom mounting plate

### DELIVERY INCLUDES

Item.	Qty	Description
1	4	Support rail, St 1,5 mm, AlZn, length 409 mm, usable width 75 HP (usable width 381 mm)
2	8	Screw, St, M4x8, Torx 20
3	1	User manual

### ORDER INFORMATION

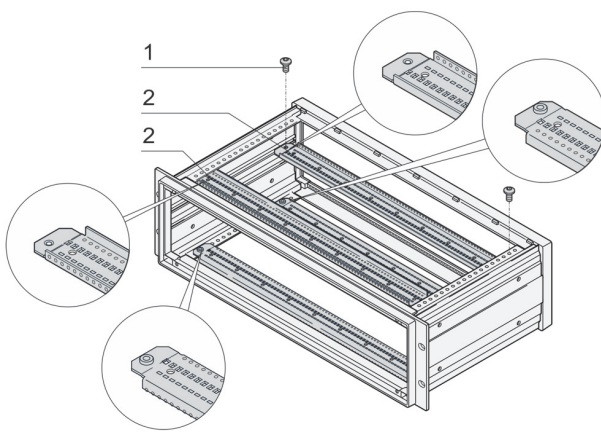
Description	Part no.
Support rail for guide rail monting, 75 HP	<b>20828-130</b>

### Accessories

Guide rails, accessories, 160 mm deep PC, UL 94 V-0, red, groove width 2 mm, PU 10 pieces	<b>24568-363</b>
Guide rail, standard, 160 mm tief PC, UL-94-V0, red, groove width 2 mm, PU 10 pieces	<b>24568-361</b>
Torx panhead screw 2.5 x 9.3, zinc-plated, PU 100 pieces 2,5 x 9,3, St, zinc-plated Assembly part kit for guide rail	<b>24560-141</b>
ESD clip for guide rails Spring steel, tin-plated, silver, PU 50 pieces	<b>24560-255</b>

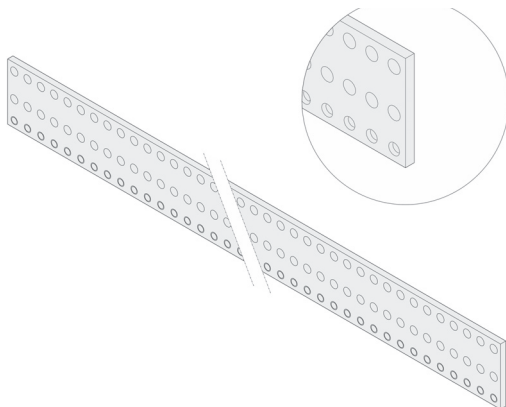
### Recomendet product

Perforated Rail for Mounting of DIN Connectors EN 60603-2, DIN 41612, 75 HP, 2 pieces	<b>20828-131</b>
Threaded inserts, 75 HP, with thread M2.5, 2 pieces	<b>20828-132</b>



02121053

## PERFORATED RAIL



02121051

- For Connector Mounting Accoring to DIN 4161

### DELIVERY INCLUDES

Item.	Qty	Description
1	2	Threaded insert, perforated, St 1,5 mm, AlZn, 75 HP
2	1	User Manual

### ORDER INFORMATION

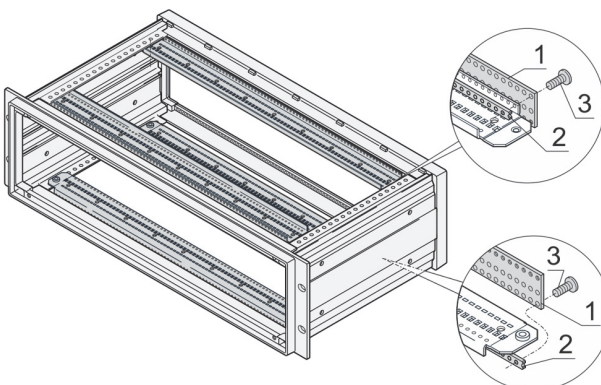
Item	Description	Part no.
1	Theaded insertt for mounting of DIN-connecotrs EN 60603-2, DIN 41612, 75 HP, 2 pieces	<b>20828-131</b>

### Accessories

Torx panhead screw M2.5 x 7, St, nickel-plated, Torx 8 , tem 3	<b>24560-147</b>
----------------------------------------------------------------	------------------

### Recommended products

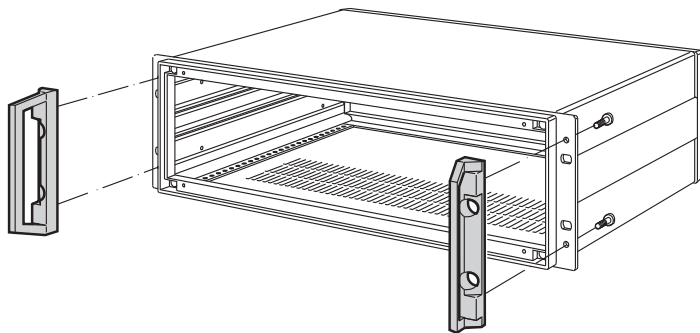
Gewindestreifen 75 HP with thred M2,5, 2 pieces ,item2	<b>20828-132</b>
--------------------------------------------------------	------------------



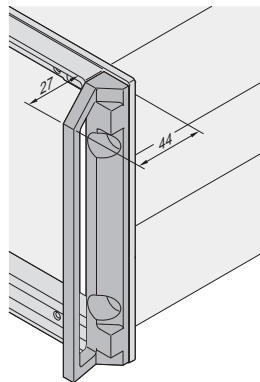
02121054

# 19" chassis – Inpac

## FRONT HANDLES



IPA30636



02108050

- Load-carrying capacity 35 kg per pair

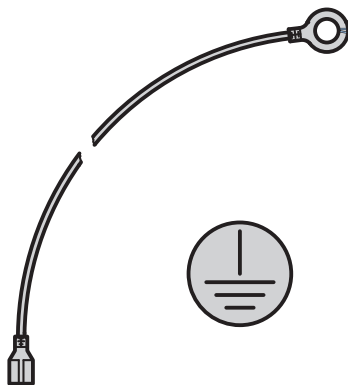
### DELIVERY COMPRISES (kit)

Item	Qty	Description
1	2	Front handle, Al die-cast, powder-coated, RAL 7030, incl. assembly kit

### ORDER INFORMATION

Height	Part no.
U	
3	<b>20828-127</b>
4	<b>20828-128</b>
6	<b>20828-129</b>

## GND/EARTHING KIT



a2a43284

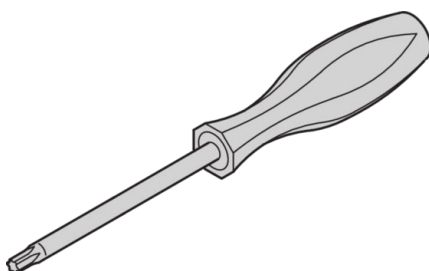
- The GND/earthing kit allows VDE-compliant earthing of the case to:
  - DIN EN 50178/VDE 0160
  - DIN EN 62368-1/VDE 0805
  - DIN EN 61010-1/VDE 0411 Part 1
  - DIN EN 61010-1A2/VDE 0411 Part 1/A
- VDE inspection has been carried out

### ORDER INFORMATION

Description	Qty/PU	Part no.
GND/earthing kit, Cu wire, 1.5 mm <sup>2</sup> , PVC sleeve, green/yellow, links side panels, top cover, base plate and rear panel	1	<b>21100-814</b>

## ASSEMBLY TOOL

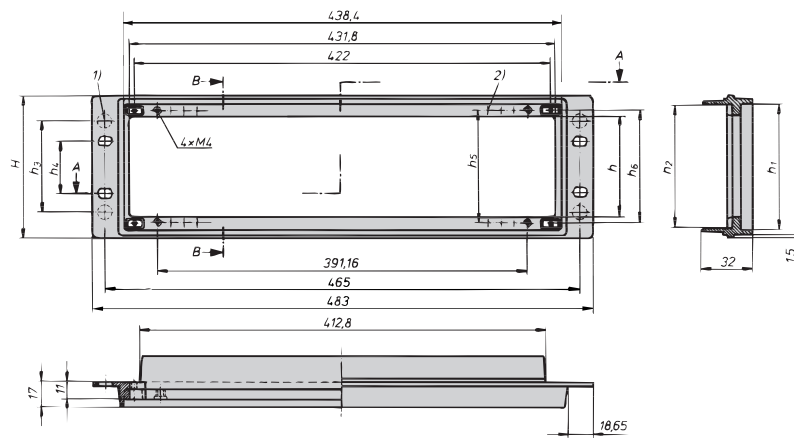
Description	Application	Dimension	Qty/PU	Part no.
Torx screwdriver	To fix the support rails	T20	1	<b>64560-027</b>



# 19" chassis – Inpac

## DIMENSIONS

### 19" FRONT FRAME

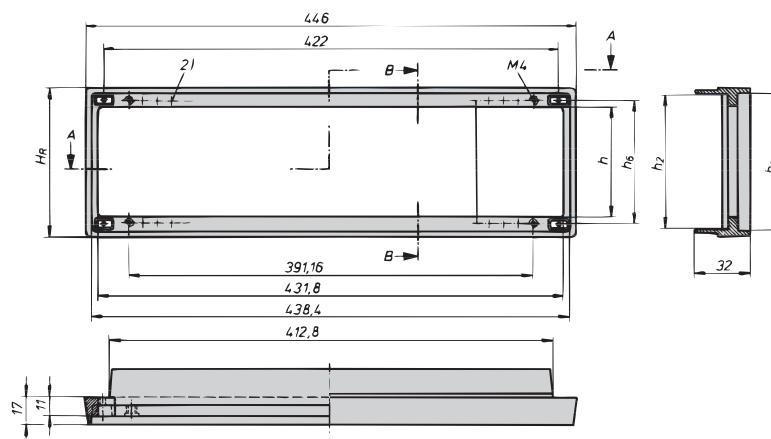


Section A-A

There are counterbores at the rear side of the front frame which can be drilled if required:

- 1) For handle mounting
- 2) For mounting of partial-width front panel (grid 5.08 mm)

### 19" REAR FRAME



Section A-A

### Dimensions table

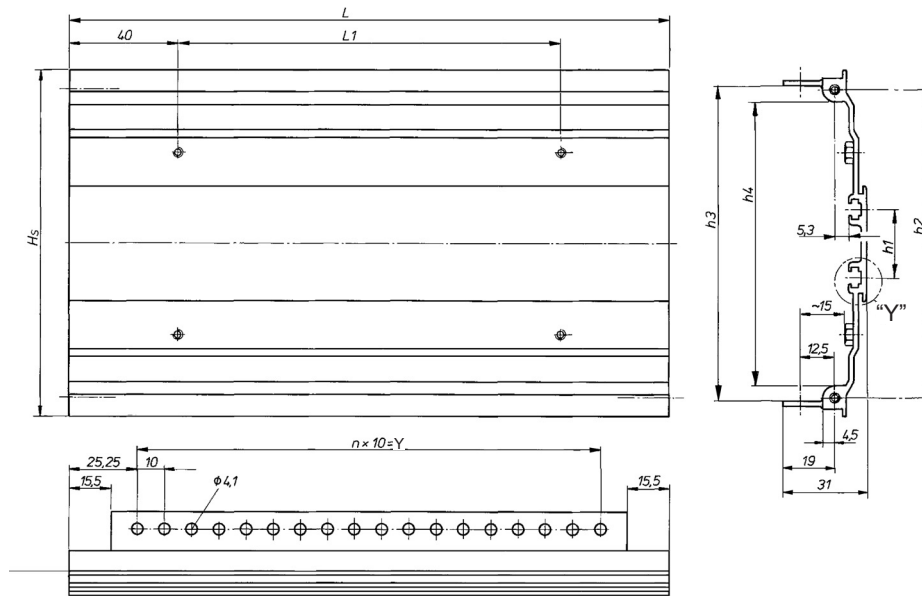
Height in U	H	H <sub>R</sub>	h	h <sub>1</sub>	h <sub>2</sub>	h <sub>3</sub>	h <sub>4</sub>	h <sub>5</sub>	h <sub>6</sub>	h <sub>7</sub>
2	88,0	86,0	57,5	77,3	69,8	25,0	76,2	65,5	68,0	68,4
3	132,5	130,5	102,5	121,8	114,3	90,0	57,1	110,0	112,5	112,8
4	177,0	175,0	146,5	166,3	158,8	134,5	101,6	154,5	157,0	157,3
6	265,9	263,9	235,4	255,2	247,7	233,4	190,4	243,4	245,9	245,9



# 19" chassis – Inpac

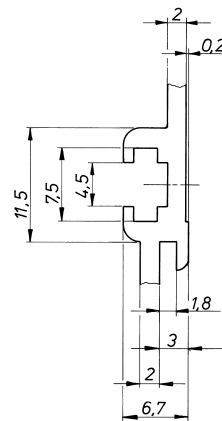
## DIMENSIONS

### SIDE PANEL



A3-304a

Detail "Y"



A3-304b

### Dimensions table

Height in U	H	h <sub>1</sub>	h <sub>2</sub>	h <sub>3</sub>	h <sub>4</sub>	L	L <sub>1</sub>	(n)	Y	T
2	82,6	-	68,0	71,4	59,0	220,5	140,5	17,0	170	254,5
2	82,6	-	68,0	71,4	59,0	280,5	200,5	23,0	230	314,5
2	82,6	-	68,0	71,4	59,0	340,5	260,5	29,0	290	374,5
3	127,0	24,0	112,5	115,8	103,5	220,5	140,5	17,0	170	254,5
3	127,0	24,0	112,5	115,8	103,5	280,5	200,5	23,0	230	314,5
3	127,0	24,0	112,5	115,8	103,5	340,5	260,5	29,0	290	374,5
4	171,0	68,5	157,0	160,3	148,0	220,5	140,5	17,0	170	254,5
4	171,0	68,5	157,0	160,3	148,0	280,5	200,5	23,0	230	314,5
4	171,0	68,5	157,0	160,3	148,0	340,5	260,5	29,0	290	374,5
6	260,4	157,1	245,9	248,9	236,5	220,5	140,5	17,0	170	254,5
6	260,4	157,1	245,9	248,9	236,5	280,5	200,5	23,0	230	314,5
6	260,4	157,1	245,9	248,9	236,5	340,5	260,5	29,0	290	374,5

## North America

Warwick, RI, USA

Tel +1.800.525.4682

San Diego, CA, USA

Tel +1.800.854.7086

## Europe, Middle East & India

Straubenhardt, Germany

Tel +49 7082 794 0

Betschdorf, France

Tel +33 3 88 90 64 90

Warsaw, Poland

Tel +48 22 209 98 35

Hemel Hempstead,

Great Britain

Tel +44 1442 24 04 71

Lainate, Italy

Tel +39 02 932 714 1

Dubai, United Arab Emirates

Tel +971 4 37 81 700

Bangalore, India

Tel +91 80 67152000

Istanbul, Turkey

Tel +90 216 250 7374

## Asia Pacific

Shanghai, China

Tel +86 21 2412 6943

Singapore

Tel +65 6768 5800

Shin-Yokohama, Japan

Tel +81 45 476 0271

Our powerful portfolio of brands:

**CADDY ERICO HOFFMAN RAYCHEM SCHROFF TRACER**



[nVent.com/SCHROFF](https://www.nVent.com/SCHROFF)