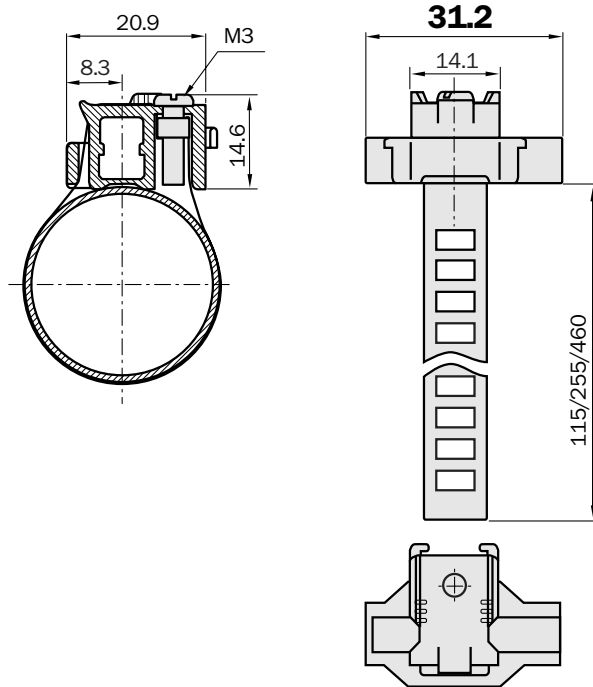


Dimensional drawing

- Adaptable to round body cylinders with piston diameters from 8 mm to 130 mm
- Fits tightly on round body cylinders
- Material: plastic / nickel silver



Note:

Using the BEF-KHZ-RT1 mounting system together with the MZT1/RZT1, MZT6/RZT6 and MZF1 magnetic cylinder sensors, the following magnetic cylinder sensors can be replaced for profile rod/tension rod cylinders: MZR1, RZR1, MZR2 and RZR2.

| Technical specifications | | BEF-KHZ- | RT1-130 | RT1-25 | RT1-63 | | | | | | | | |
|--------------------------|-----------------------|----------|---------|--------|--------|--|--|--|--|--|--|--|--|
| Piston diameter | 8 ... 130 mm | | | | | | | | | | | | |
| | 8 ... 25 mm | | | | | | | | | | | | |
| | 8 ... 63 mm | | | | | | | | | | | | |
| Material | Plastic/nickel silver | | | | | | | | | | | | |



The mounting bracket BEF-KHZ-RT1 makes it possible to mount magnetic cylinder sensors MZT6/RZT6, MZT1/RZT1 and MZF1 series on round-body cylinders.

| Ordering information | |
|----------------------|-----------|
| Type | Order no. |
| BEF-KHZ-RT1-130 | 5 311 506 |
| BEF-KHZ-RT1-25 | 5 311 171 |
| BEF-KHZ-RT1-63 | 5 311 172 |