

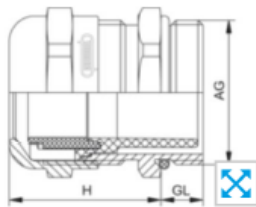
# HSK-INOX (1.4305)

Standard liquid tight strain relief fittings made of stainless steel

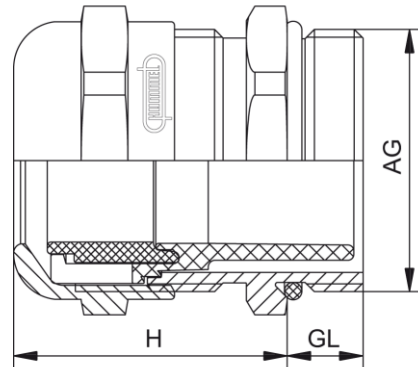
|                       |  |
|-----------------------|--|
| Clamping insert       | PA   |
| Material              | 1.4305   |
| O-Ring                | Buna-N   |
| Operating-Temperature | -40 – 100 °C   |
| Protection            | IP 68 – 10 bar / IP 69K within the specific clamping range |
| Seal                  | Buna-N   |

EMC upon request

Other steel upon request



## Certificates



| MFG P/N       | DISTRELEC PN | SW (mm) | Variante | AG         | GL (mm) | H (mm) |
|---------------|--------------|---------|----------|------------|---------|--------|
| 1.695.1100.15 | 301-10-711   | 22,00   | PG       | PG 11      | 6,00    | 22,00  |
| 1.695.1100.01 | 301-10-752   | 22,00   | PG       | PG 11      | 6,00    | 22,00  |
| 1.695.1300.01 | 301-10-753   | 22,00   | PG       | PG 13,5    | 6,50    | 24,00  |
| 1.695.1600.01 | 301-10-754   | 24,00   | PG       | PG 16      | 6,50    | 23,00  |
| 1.695.2100.01 | 301-10-755   | 30,00   | PG       | PG 21      | 7,00    | 24,00  |
| 1.695.0700.01 | 301-10-756   | 14,00   | PG       | PG 7       | 5,00    | 19,00  |
| 1.695.0900.01 | 301-10-757   | 17,00   | PG       | PG 9       | 6,00    | 21,00  |
| 1.695.2000.51 | 301-13-449   | 24,00   | Metr.    | M 20 x 1,5 | 6,00    | 23,00  |
| 1.695.2500.50 | 301-13-450   | 30,00   | Metr.    | M 25 x 1,5 | 7,00    | 24,00  |