

HSK-INOX-PVDF (1.4305)

Standard liquid tight strain relief fittings made of stainless steel

Clamping insert	PVDF
Material	1.4305
O-Ring	FKM
Operating-Temperature	-35 – 150 °C
Protection	IP 68 – 10 bar / IP 69K within the specific clamping range
Seal	FKM

Certificates



EN_50262



RoHS



POCC-DE-RG05-B00077



HSK_CUR_Zertifikat



HSK_UR_Zertifikat



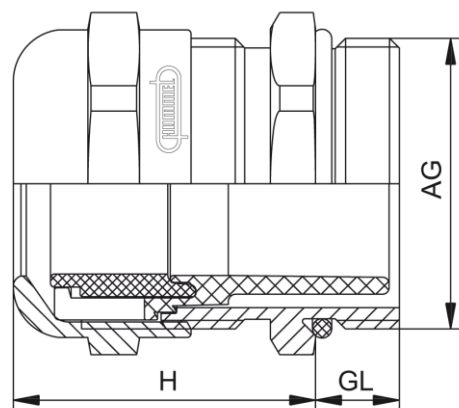
HSK_CUL_Zertifikat



HSK_UL_Zertifikat



Germanischer_Lloyd_459...



MFG PN	DISTRELEC PN	> Ø (mm)	Variante	AG	GL (mm)	SW (mm)	H (mm)
1.696.0900.01	301-10-763	4 – 8	PG	PG 9	6	17	21
1.696.1300.01	301-10-758	6 – 12	PG	PG 13,5	6,5	22	24
1.696.2100.01	301-10-759	13 – 18	PG	PG 21	7	30	24
1.696.2100.15	301-10-760	9 – 16	PG	PG 21	7	30	24
1.696.2900.01	301-10-761	18 – 25	PG	PG 29	8	41	29
1.696.3600.01	301-10-762	22 – 32	PG	PG 36	8	50	35