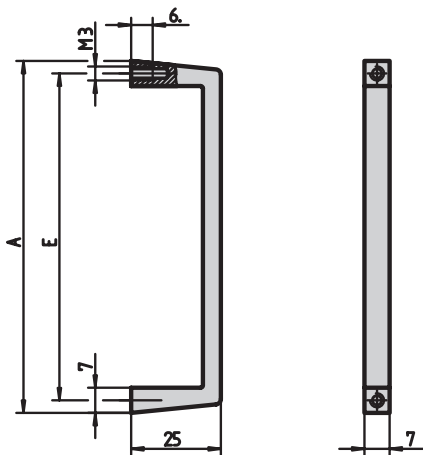


Case – Accessories

Handles

- Front handles
- Strap handle
- Tip-up carrying handle
- Folding handles
- Tray handles

Front handle, one-piece, width 7 mm



- Load-carrying capacity 10 kg

Delivery comprises (kit)

Item	Qty	Description
1	1	Front handle, Al extrusion, anodised

Order information

A	E	Part no.
mm	mm	
48	40	10501-001
98	90	10501-002

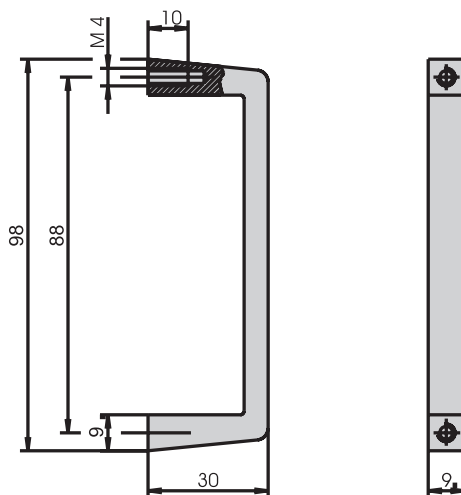
Delivery is exclusively in Standard Pack Quantity (SPQ): Please order at least 10 pieces or a multiple. Pricing is per individual item.

BZA42318



For further information www.schroff.biz/oneclick
oneClick search code = Part no.

Front handle, one-piece, width 9 mm



- Load-carrying capacity 30 kg

Delivery comprises (kit)

Item	Qty	Description
1	1	Front handle, Al extrusion, anodised

Order information

Description	Part no.
Front handle	10501-003
Countersunk Pozidrive screw 14 x 10, zinc-plated, PU 100 pieces	21101-381

Delivery is exclusively in Standard Pack Quantity (SPQ): Please order at least 10 front handles or a multiple. Pricing is per individual item.

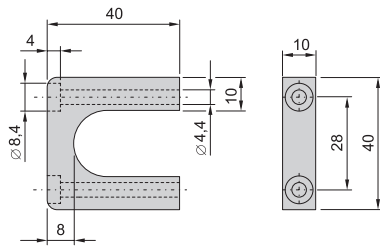
BZA42330



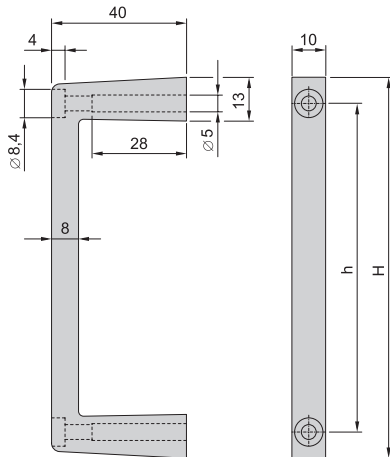
For further information www.schroff.biz/oneclick
oneClick search code = Part no.

Case - Accessories

Front handle, one-piece, width 10 mm



H = 1 U



H ≥ 2 U

02905050

02905051

- Load-carrying capacity 30 kg

Delivery comprises (kit)

Item	Qty	Description
1	2	Front handle, Al extrusion, anodised
2	1	Assembly kit

Order information

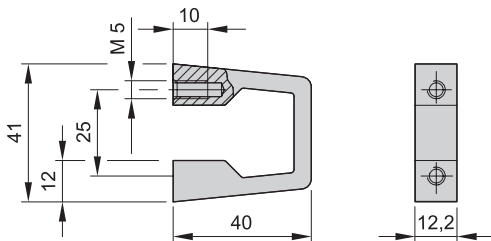
Height H mm	Height h mm	Part no.
40	28	20860-256
69	53	20860-257
113	97.5	20860-258
157.45	141.9	20860-259
201.9	186.4	20860-260



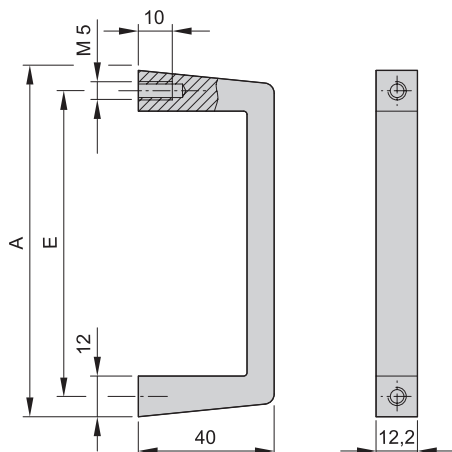
For further information www.schroff.biz/oneclick
oneClick search code = Part no.

Front handle, one-piece, width 12.2 mm

1 U



2 U ... 6 U



BZA42316

BZA42327

- Static load-carrying capacity 30 kg

Delivery comprises

Item	Qty	Description
1	1	Front handle, Al extrusion, anodised

Order information

A	E	clear anodised Part no.	black anodised Part no.
41	25	10501-116	-
57.5	44.5	10501-016	-
69	55	10501-004	10501-025
102	88	10501-005	10501-026
132	120	10501-006	10501-027
146.4	133.4	10501-018	-
194	180	10501-007	10501-028
249	235	10501-008	10501-029
Panhead screw pozidrive		21100-788	
self-locking, M5 × 12, zinc-plated, PU 100 pieces			
Countersunk screw with torx head		24560-183	
M5 × 12, zinc-plated, 100 pieces			

Delivery is exclusively in Standard Pack Quantity (SPQ): Please order at least 10 front handles or a multiple. Pricing is per individual item.

Note

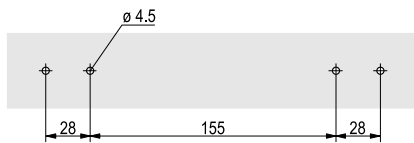
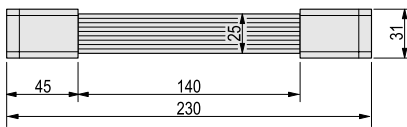
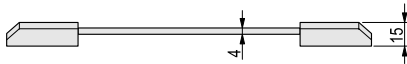
- Please order panhead screws separately

Case – Accessories

Strap handle, width 25 mm



05895003



02902050

- Load-carrying capacity 20 kg

Delivery comprises (kit)

Item	Qty	Description
1	1	Band, spring steel, handle piece, flexible plastic, grey, RAL 7016
2	2	Cover, grey, RAL 7016

Order information

Length mm	Part no.
230	20850-249



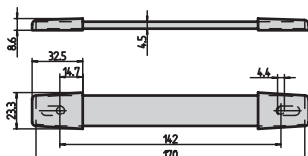
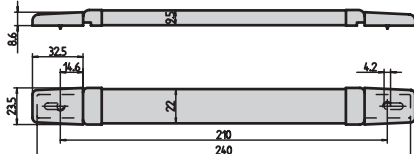
For further information www.schroff.biz/oneclick
oneClick search code = Part no.

Strap handle, width 22 mm



02992006

Length 240 mm / 170 mm



BZA42368

- Load-carrying capacity 20 kg

Delivery comprises (kit)

Item	Qty	Description
1	1	Band, spring steel, plastic-coated, black
2	2	Cover plate, St, chrome-plated
3	1	Assembly kit

Order information

Length mm	Part no.
170	10504-002
240	10504-003



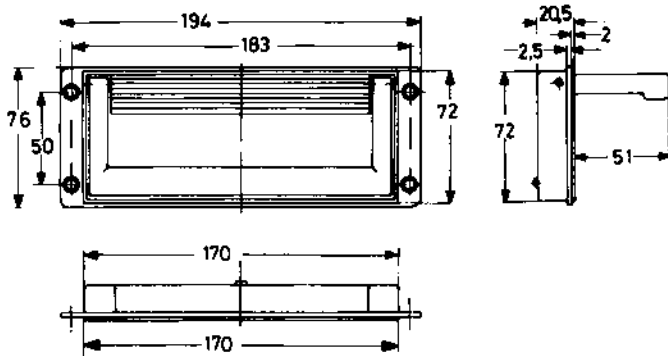
For further information www.schroff.biz/oneclick
oneClick search code = Part no.

Case – Accessories

Folding metal handle



Folding metal handle



02992004

- Load-carrying capacity 30 kg
- For case protection class up to IP 40
- Detent in folded and unfolded position
- Same cut-out for mounting in front of or behind the cases's wall

Delivery comprises (kit)

Item	Qty	Description
1	1	Handle, Al die-cast, RAL 9005, black
2	1	Handle shell, Al die-cast, RAL 9006, silver

Order information

Description	Part no.
Folding metal handle	20505-032

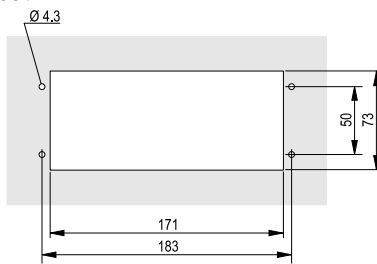
Delivery is exclusively in Standard Pack Quantity (SPQ): Please order at least 10 pieces or a multiple. Pricing is per individual item.



For further information www.schroff.biz/oneclick
oneClick search code = Part no.

A4-2369

Assembly cut-out

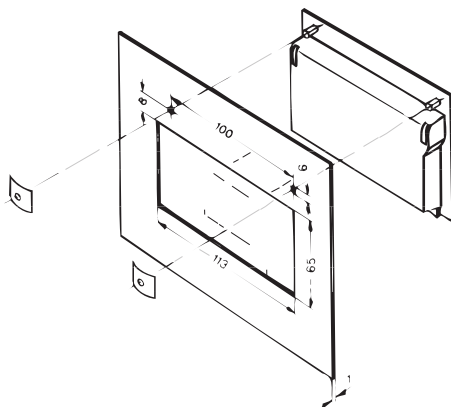


A4-2370

Folding plastic handle



Folding plastic handle



02992005

- Load-carrying capacity 20 kg
- For case protection class up to IP 40
- Detent in folded and unfolded position
- Only for external assembly

Delivery comprises (kit)

Item	Qty	Description
1	1	Handle, PA, light-grey
2	1	Handle shell, PA, dark grey
3	1	Set of assembly parts

Order information

Description	Part no.
Folding plastic handle	10505-014

Delivery is exclusively in Standard Pack Quantity (SPQ): Please order at least 10 pieces or a multiple. Pricing is per individual item.

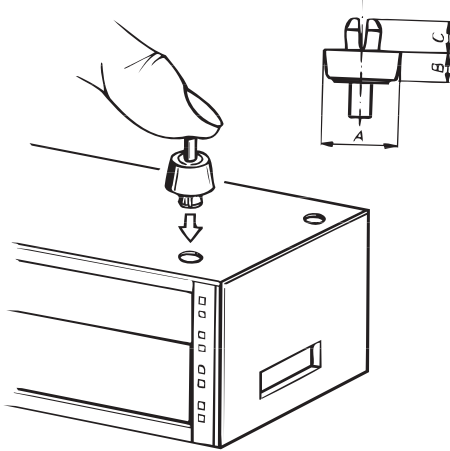


For further information www.schroff.biz/oneclick
oneClick search code = Part no.

A2-123

Case - Accessories

Plastic foot



A4-330

Delivery comprises

Item	Qty	Description
1	1	Foot, PC, UL 94 V-0

Order information

Description	Dimensions			Hole diameter mm	Part no.
	A mm	B mm	C mm		
For material thickness 1 ... 3	16	7.2	4	7	60224-009
For material thickness 1.5 ... 3	21	15	7	7.7	60224-011

Delivery is exclusively in Standard Pack Quantity (SPQ): Please order at least 50 pieces or a multiple. Pricing is per individual item.

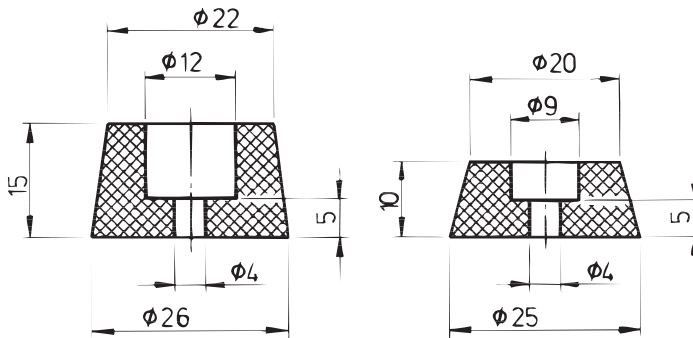
Note

- Foot is fixed after insertion into the fixing hole by pushing in the spreading pin



For further information www.schroff.biz/oneclick
oneClick search code = Part no.

Rubber foot



A4-2315

Order information

Dimensions	Material	Colour	Qty	Part no.
Height mm	Hole diameter mm			
10	25	Rubber grey	1	60200-001
15	26	Rubber grey	1	60200-027

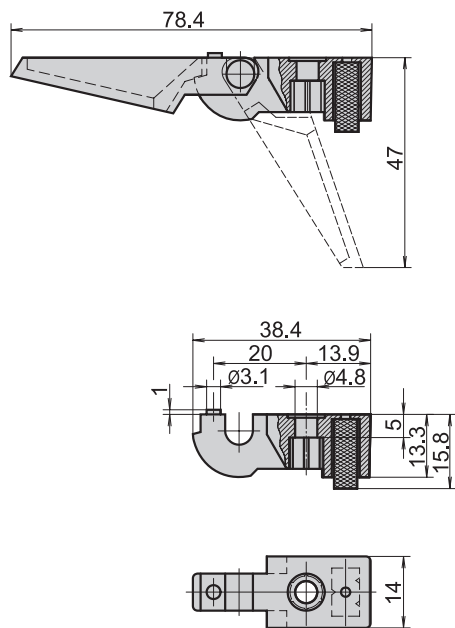
Delivery is exclusively in Standard Pack Quantity (SPQ): Please order at least 50 pieces or a multiple. Pricing is per individual item.



For further information www.schroff.biz/oneclick
oneClick search code = Part no.

Case – Accessories

Plastic foot with/without tip-up



AZA43835

- Load-carrying capacity 25 kg per foot
- Can be used instead of standard feet
- Mounting holes in the bottom of casing

Order information

Description	Qty/PU	grey	black
		Part no.	Part no.
Foot with tip-up, PA, UL 94 HB	1	10603-023	10603-025
Foot without tip-up, PA, UL 94 HB	1	10603-024	10603-026
Pozidrive flathead screw M4 x 10, St, zinc-plated, PU 100 pieces			21100-513
Hexagon nut M4, St, zinc-plated, PU 100 pieces			21100-211
Spring washer A4, St, zinc-plated, PU 100 pieces			21100-207

Delivery is exclusively in Standard Pack Quantity (SPQ): Please order a minimum of 10 feet or a multiple. Pricing is per individual item.

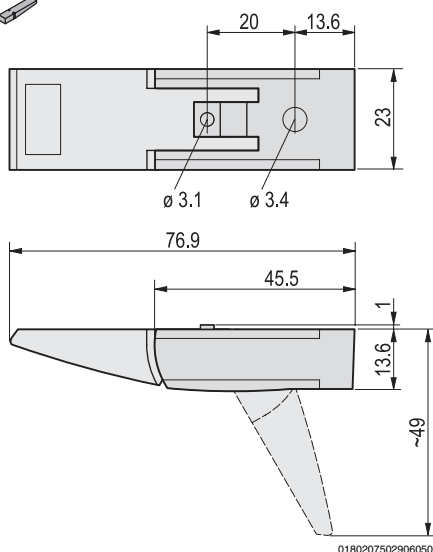
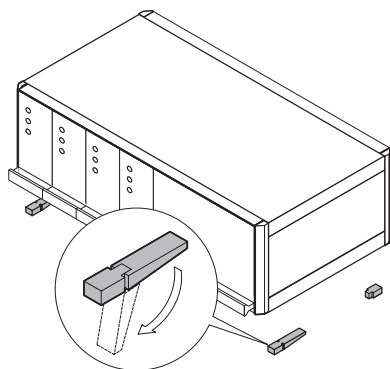
Note

- Please order assembly kit separately.



For further information www.schroff.biz/oneclick
oneClick search code = Part no.

Plastic tip-up foot



0180207502906050

- Tip-up feet can be used instead of the pre-mounted case feet
- Load-carrying capacity 25 kg per foot
- Mounting holes in bottom of case

Delivery comprises (kit)

Item	Qty	Description
1	4	Foot, PA, UL 94 V-0
2	4	Anti-slip protection, TPE
3	2	Tip-up device, PA, UL 94 V-0
4	1	Assembly kit

Order information

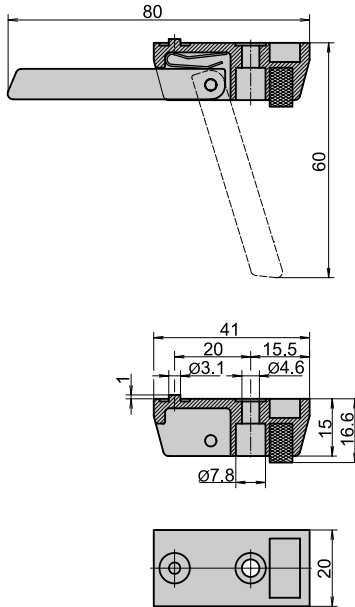
Description	RAL 7016	RAL 9006
	anthracite	silver
	Part no.	Part no.
Plastic tip-up foot	20603-002	20603-001



For further information www.schroff.biz/oneclick
oneClick search code = Part no.

Case – Accessories

Al die-cast foot with/without tip-up



- Tip-up feet can be used instead of the pre-mounted case feet
- Load-carrying capacity: 50 kg per foot
- Mounting holes in bottom of case

Order information

Description	Qty/PU	Part no.
Foot with tip-up, Al die-cast, silver	1	10603-002
Foot without tip-up, Al die-cast, silver	1	10603-001
Cheesehead screw with slot M4 x 12, St, zinc-plated, PU 100 pieces		21101-211
Hexagon nut M4, St, zinc-plated, PU 100 pieces		21100-211
Spring washer A4, St, zinc-plated, PU 100 pieces		21100-207

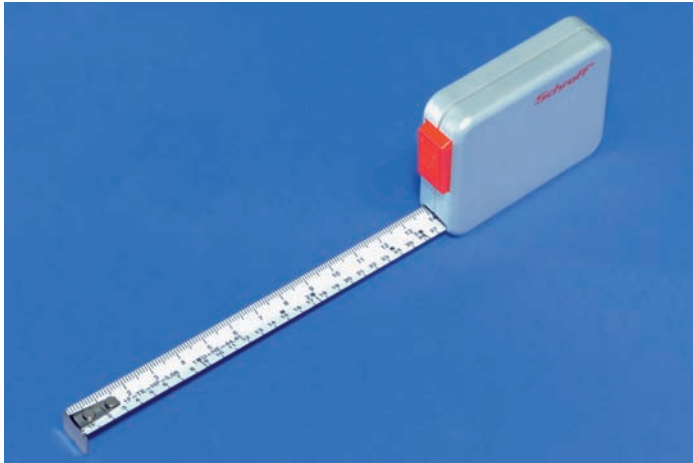
Delivery is exclusively in Standard Pack Quantity (SPQ): Please order at least 10 pieces of feet or a multiple. Pricing is per individual item.



For further information www.schroff.biz/oneclick
oneClick search code = Part no.

AZA43836

Tape measure



3256001

- Tape measure with cm, U and HP division (length 2 m)
- Outer casing plastic, metal measuring band with automatic retraction

Order information

Description	Qty/PU	Part no.
Tape measure	1	89009-001