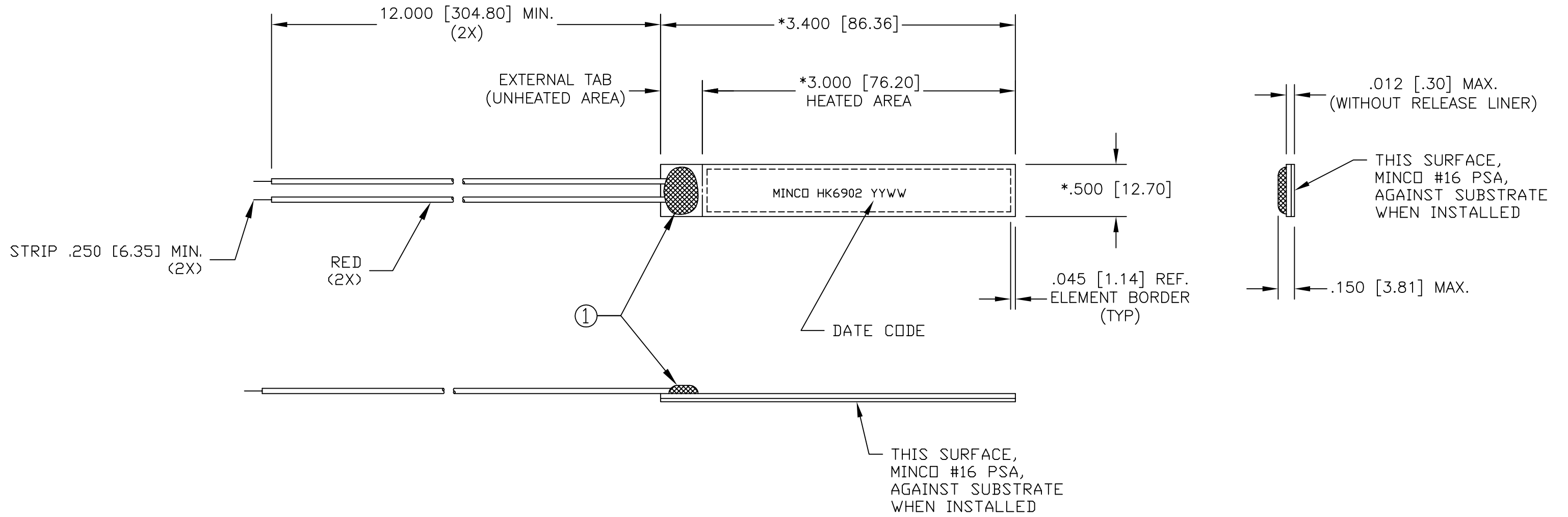



| REVISIONS | | | | | |
|-----------|-------------------------|---------|---------|-----|------|
| REV | DESCRIPTION | DATE | ECO | DR | APPD |
| A | UPDATED PER ECO 1577075 | 5-16-11 | 1577075 | LRK | JPN |



9. PART IS RoHS COMPLIANT.
8. DIMENSIONS PRECEDED BY AN * ARE CONTROLLED BY ENGINEERING DESIGN AND TOOLING.
7. HEATER IS SUPPLIED WITH MINCO #16 PRESSURE-SENSITIVE ADHESIVE AND RELEASE LINER WHICH COVER THE ENTIRE SUBSTRATE SIDE. INSTALL HEATER PER SPI 00-0603, A COPY OF WHICH IS INCLUDED WITH SHIPMENT.
6. INSULATION: POLYIMIDE.
5. LEADWIRE: A.W.G. #26, STRANDED, TFE INSULATED PER NEMA HP3.
4. DIELECTRIC STRENGTH: 500 VOLTS RMS AT 60 Hz FOR 1 MINUTE, ELEMENT TO OUTER SURFACES.
3. TEMPERATURE LIMIT: 100°C MAXIMUM AT ZERO POWER.
2. RESISTANCE: 65.71 OHMS (72.28/59.15).
1. ELEMENT: NON-INDUCTIVE PATTERN.

| | | | | | | | | | | | | | | | | |
|---|-----------------|----------|----------|---|---|---------------|----------------------|-------|------|----------|---|---|---|-------------|-------|-------|
| UNLESS OTHERWISE SPECIFIED DIMENSIONS AND TOLERANCES IN INCHES DIMENSIONS IN [] ARE IN MILLIMETERS | | INITIALS | DATE | ① | AR | 701-9001 | URETHANE, BLUE | | | | | | | | | |
| ONE PLACE (.0) | } ±.030 [±0.76] | DR | LRK 2368 | 7-22-11 | REQD | PART/STOCK NO | MATERIAL DESCRIPTION | | | | | | | | | |
| TWO PLACE (.00) | | CHK | DD 1996 | 4-01-11 | TITLE: THERMOFOIL HEATER MODEL HK6902 | | | | | | | | | | | |
| THREE PLACE (.000) | | APP | | | | | | | | | | | | | | |
| ANGLES: | | ENGR | JPN 3182 | 4-05-11 |  www.minco.com COMPANY CONFIDENTIAL PROPRIETARY INFORMATION OF MINCO PRODUCTS, INC. DO NOT DUPLICATE | | | | | | | | | | | |
| MATERIAL: | QA | | | HK6902 REV A | | | | | | | | | | | | |
| FINISH: | PRD | | | | | | | | | | | | | | | |
| | NEXT ASSY | CATEGORY | | STOCK NO | | | | SCALE | NONE | DWG SIZE | B | ⊕ | ⊞ | CAGE IDENT. | 09359 | SHEET |