

HD36-18-14SN-L006 ✓ ACTIVE

DEUTSCH | DEUTSCH HD, DEUTSCH HD30

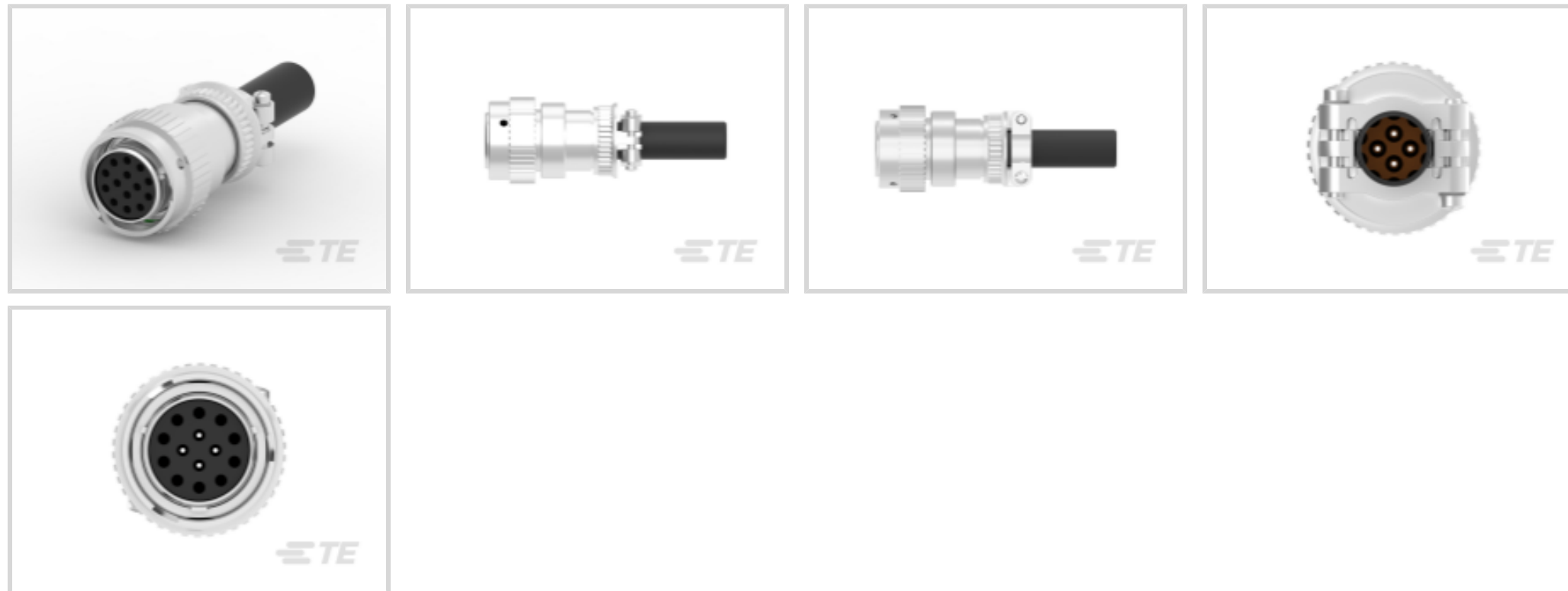
TE Internal #: HD36-18-14SN-L006

Housing for Female Terminals, Wire-to-Wire, 14 Position, Sealable, Wire & Cable, Power & Signal, Cable Mount (Free-Hanging), Hybrid

[View on TE.com >](#)



Connectors > Automotive Connectors > Connector Housings > DEUTSCH HD30 HOUSINGS



Connector & Housing Type: **Housing for Female Terminals**

Mating Pin Diameter: **1.59 mm [.063 in]**

Connector System: **Wire-to-Wire**

Number of Positions: **14**

Sealable: **Yes**

[All DEUTSCH HD30 HOUSINGS \(357\)](#)

Features

Product Type Features

Connector Shape	Circular
Connector & Housing Type	Housing for Female Terminals
Connector System	Wire-to-Wire
Sealable	Yes
Hybrid Connector	No
Primary Locking Feature	Contact Retainer
Connector & Contact Terminates To	Wire & Cable

Configuration Features

Blank Cavity Position	0
Connector Seal Code	N Seal
Number of Positions	14

Electrical Characteristics

Operating Voltage	250 VAC
-------------------	---------



Nominal Voltage Architecture	12 V, 24 V
------------------------------	------------

Body Features

Cable Exit Angle	180°
Body Material	Aluminum

Contact Features

Contact Size	Size 16
Contact Type	Socket
Mating Pin Diameter	1.59 mm[.063 in]
Contact Current Rating (Max)	13 A

Mechanical Attachment

Mounting Feature	Without
Terminal Position Assurance	No
Strain Relief	Add By Accessory
Mating Alignment Type	Guide Slot
Mating Alignment	With
Connector Mounting Type	Cable Mount (Free-Hanging)

Dimensions

Product Width	42.97 mm[1.692 in]
Product Length	77.7 mm[3.059 in]
Product Height	42.97 mm[1.692 in]
Accepts Wire Insulation Diameter Range	2.54 – 3.4 mm[.1 – .134 in]

Usage Conditions

Operating Temperature (Max)	125 °C[257 °F]
Operating Temperature Range	-55 – 125 °C[-67 – 257 °F]

Operation/Application

Circuit Application	Power & Signal
---------------------	----------------

Industry Standards

Degree of Protection	IP67
----------------------	------

Packaging Features

Packaging Quantity	100
Packaging Method	Box

Other



Serviceable	Yes
Connector Position Assurance Capable	No

Product Compliance

[For compliance documentation, visit the product page on TE.com>](#)

EU RoHS Directive 2011/65/EU	Compliant
EU ELV Directive 2000/53/EC	Compliant
China RoHS 2 Directive MIIT Order No 32, 2016	No Restricted Materials Above Threshold
EU REACH Regulation (EC) No. 1907/2006	Current ECHA Candidate List: JUNE 2022 (224) Candidate List Declared Against: JUNE 2022 (224) Does not contain REACH SVHC
Halogen Content	Not Low Halogen - contains Br or Cl > 900 ppm.
Solder Process Capability	Not reviewed for solder process capability

Product Compliance Disclaimer

This information is provided based on reasonable inquiry of our suppliers and represents our current actual knowledge based on the information they provided. This information is subject to change. The part numbers that TE has identified as EU RoHS compliant have a maximum concentration of 0.1% by weight in homogenous materials for lead, hexavalent chromium, mercury, PBB, PBDE, DBP, BBP, DEHP, DIBP, and 0.01% for cadmium, or qualify for an exemption to these limits as defined in the Annexes of Directive 2011/65/EU (RoHS2). Finished electrical and electronic equipment products will be CE marked as required by Directive 2011/65/EU. Components may not be CE marked. Additionally, the part numbers that TE has identified as EU ELV compliant have a maximum concentration of 0.1% by weight in homogenous materials for lead, hexavalent chromium, and mercury, and 0.01% for cadmium, or qualify for an exemption to these limits as defined in the Annexes of Directive 2000/53/EC (ELV). Regarding the REACH Regulation, the information TE provides on SVHC in articles for this part number is based on the latest European Chemicals Agency (ECHA) 'Guidance on requirements for substances in articles' posted at this URL: <https://echa.europa.eu/guidance-documents/guidance-on-reach>

Compatible Parts



TE Part # CAT-H3930-CH8172
DEUTSCH HD30 HOUSINGS



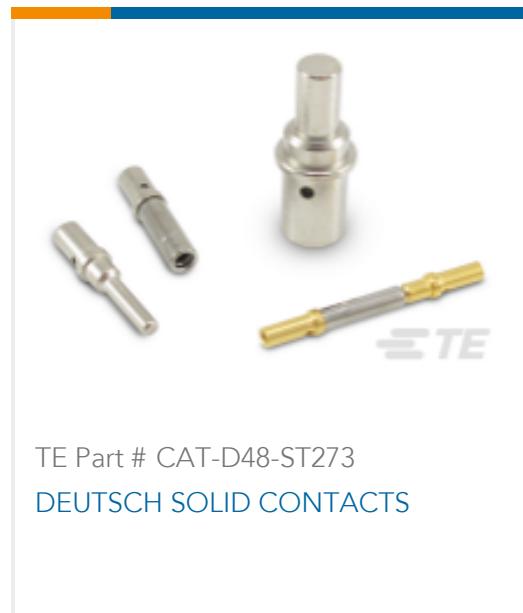
TE Part # CAT-D48-SP729
DEUTSCH SEALING PLUGS



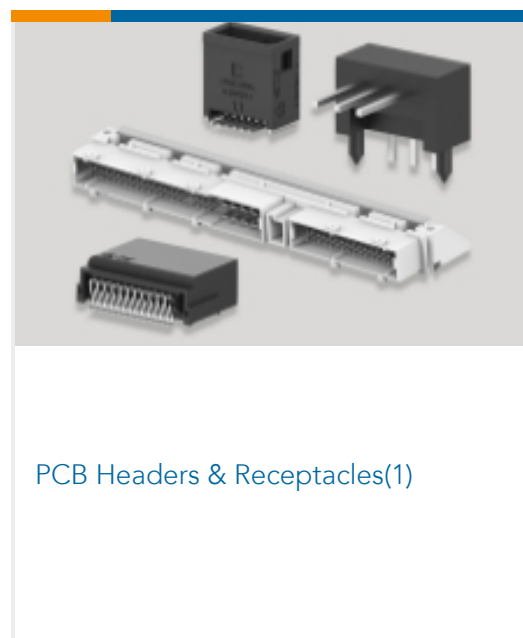
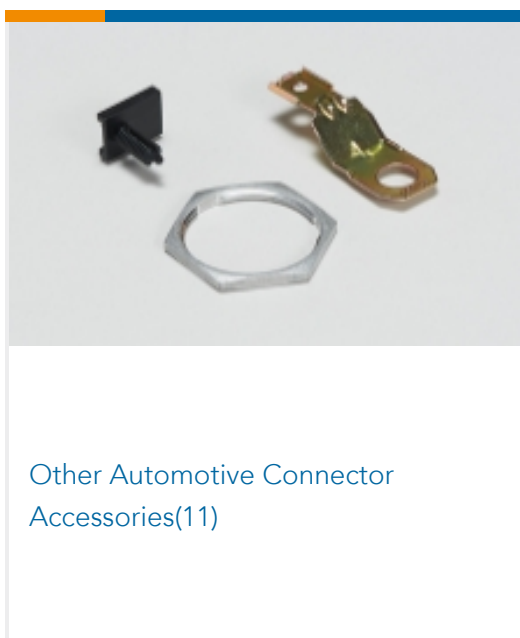
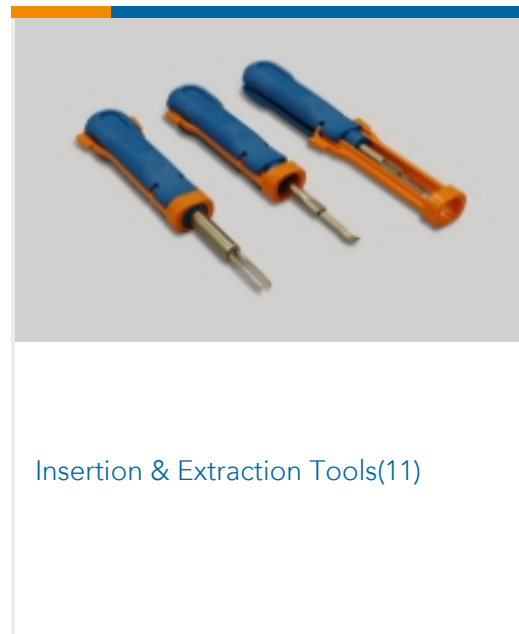
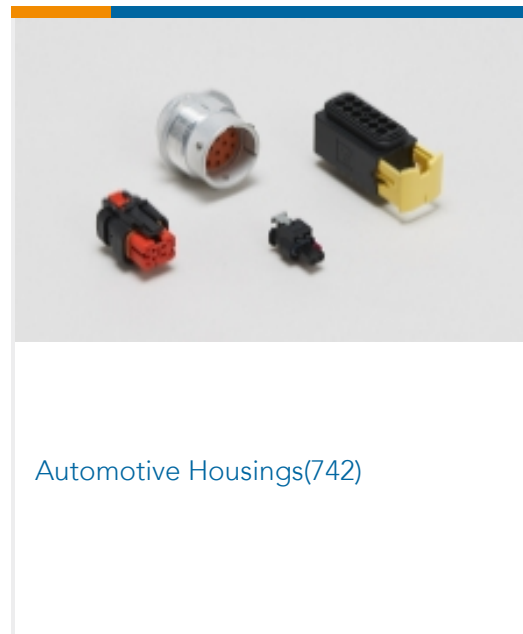
TE Part # 0411-204-1605
EXT TOOL, SIZE 16, 16-18 AWG, N,
DRK BLU



TE Part # CAT-D48-SFT273
DEUTSCH STAMPED & FORMED
CONTACTS



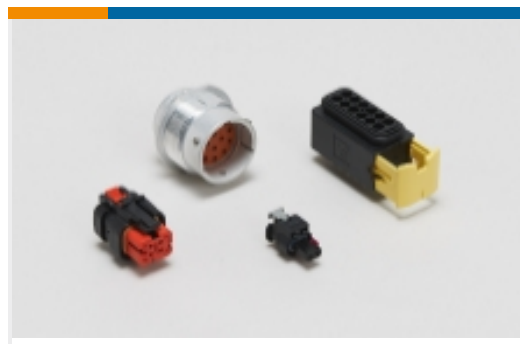
Also in the Series | **DEUTSCH HD**



Also in the Series | **DEUTSCH HD30**



Automotive Connector Caps & Covers (18)



Automotive Housings(359)



Automotive Seals & Cavity Plugs(11)



Insertion & Extraction Tools(10)



Other Automotive Connector Accessories(6)

Customers Also Bought



TE Part #HD36-18-14PN-059
PLG,14P,AL,N, CBL CLMP BT, DRAIN, 16,P,MC



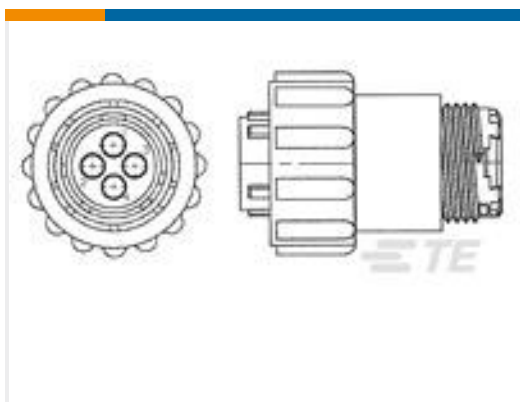
TE Part #HD10-9-16P
SQ FG REC ASM



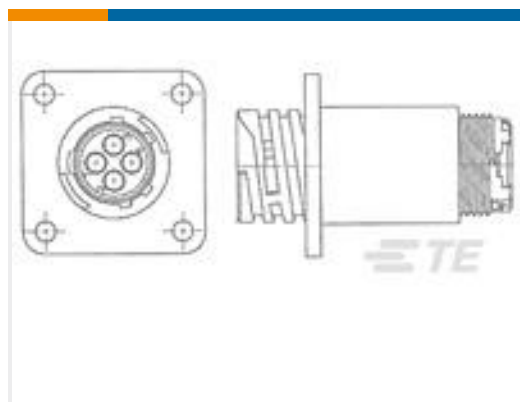
TE Part #DTM06-2S-EE03
PLG, 2P, BLK, N, XCAP



TE Part #HDC36-24-1E
DEUTSCH HD30 RECEPTACLE PROTECTIVE CAPS



TE Part #788157-1
SLD CPC 13-9 PLUG,STD,SM INS



TE Part #788158-2
SLD CPC RCPT ASSY,13-9,STD SEX



TE Part #1011-240-0605
BKSHL, 6P, BLK, PLG, RA, NW8.5/10/13



TE Part #DT06-3S-PE01
PLG, 3P, BLK, SEAL RET, PROT CAP 120 OHM



TE Part #HDP26-24-14SN-L015
PLG, 14P, BLK, N, THD, 4/12/16, S

Documents



Product Drawings

[PLG,14P,AL,N,CBL CLMP BT,NODRAIN,16,S,MC](#)

English

CAD Files

[3D PDF](#)

3D

Customer View Model

[ENG_CVM_CVM_HD36-18-14SN-L006_A.2d_dxf.zip](#)

English

Customer View Model

[ENG_CVM_CVM_HD36-18-14SN-L006_A.3d_igs.zip](#)

English

Customer View Model

[ENG_CVM_CVM_HD36-18-14SN-L006_A.3d_stp.zip](#)

English

By downloading the CAD file I accept and agree to the [Terms and Conditions](#) of use.

Datasheets & Catalog Pages

[ICT Terminals and Connectors Catalogue](#)

English

Product Specifications

[Application Specification](#)

English