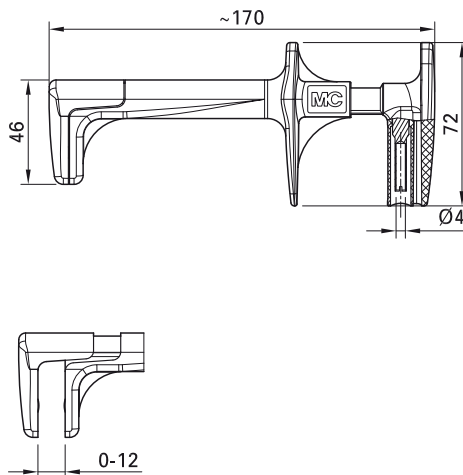


### Flat Test Clip GRIP-FMA

For fast and safe contacting on busbars, for example for the synchronization for stand-by power units. Powerful contacting on the

front and rear of the busbars by means of our established MULTILAM. Fixed Ø 4 mm socket in the pressure grip handle section,

to fit spring-loaded Ø 4 mm plugs with rigid insulating sleeve.

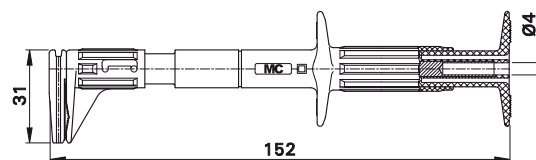
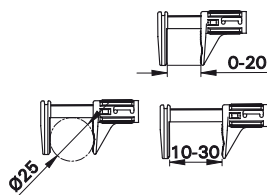


Order No.	Type	Rated voltage/current		Color
66.9435-21	GRIP-FMA	1000 V, CAT IV / 32 A	CE	21

### Flat Test Clip GRIP-F

For making quick, secure contact during voltage measurements. With adjustable stop. Ø 4 mm rigid socket in handle accept-

ing spring-loaded Ø 4 mm plugs with rigid insulating sleeve.



Order No.	Type	Rated voltage/current		*Colors
66.9829-*	GRIP-F	600 V, CAT III / 5 A	Ni CE c UL US	21 22 23 24 25 26