

HOFFMAN GL66 STAINLESS STEEL HINGE COVER



INDUSTRY STANDARDS

Mounting brackets required to meet UL/CSA external mounting requirements.

UL 508A Listed; Type 4, 4X, 12; File No. E61997
cUL Listed per CSA C22.2 No 94; Type 4, 4X, 12;
File No. E61997

NEMA/EEMAC Type 4, 4X, 12, 13
CSA File No. 42186: Type 4, 4X, 12
IEC/EN 60529, IP66
IEC/EN 62262, IK10
IEC/EN 62208



Manufactured in Type 304 and 316L stainless steel, these enclosures are ideal for indoor or outdoor applications which require corrosion protection from chemicals and water.

The enclosures contain an external body flange to prevent contaminants from entering the enclosure; a strong door with removable hinges; a conductive panel ordered separately and quarter-turn latch with 3 mm double-bit insert for a secure closure.

APPLICATION

- Food and beverage production
- Offshore and all saline environments
- Waste and water treatment
- Packaging
- Pharmaceutical processing
- Outdoor environments and corrosive applications

SCOPE OF DELIVERY

- Enclosure with hinged door
- Gland plate, supplied loose (for items with gland plate)
- Assembly kit
- Installation instruction
- Mounting plate is not included and should be ordered separately

FEATURES

- Versions with or without gland plate
- Minimum-width body flange provides maximum body opening
- External formed 90 degree body flange
- Door opens 210 degrees
- Mounting holes in back of body for direct mounting or for optional external mounting brackets
- Doors are easily removed by pulling clip-style hinge pins
- Quarter-turn latches furnished with 3 mm double-bit insert
- Self-grounding latch system with double seal
- Left hinged doors, reversible

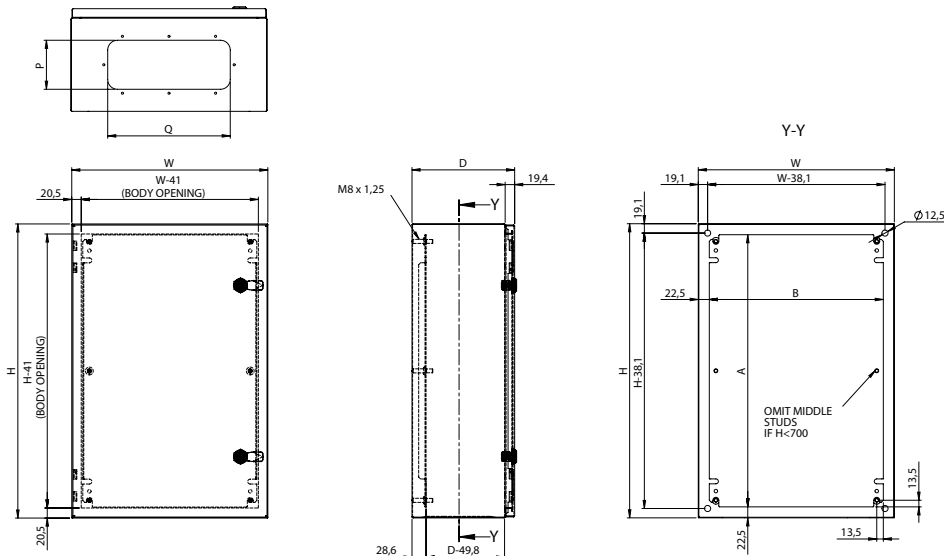
SPECIFICATIONS

- Stainless steel wall-mount GL66, IP66, UL/NEMA Type 4X enclosure
- Stainless steel type 304 or type 316L in standard
- Material thickness: 1,2, 1,5 and 2,0 mm doors; 1,2 and 1,5 mm body
- Type 316 stainless steel hinge pins
- Seamless foam-in-place gasket
- Grounding stud on the body
- Bonding provision on the door
- Brushed finish 320 grain

Hoffman

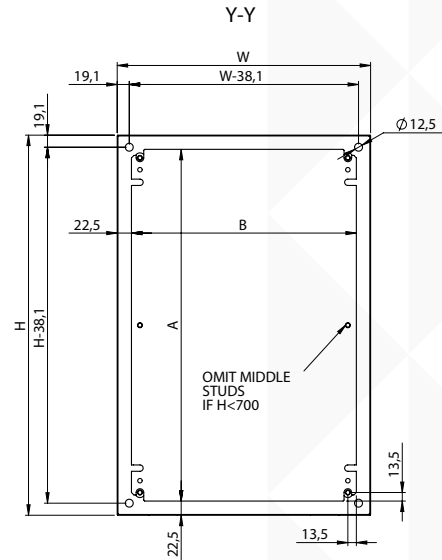
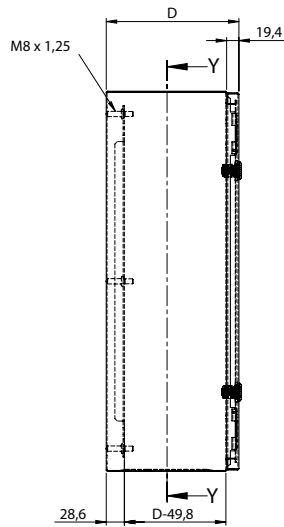
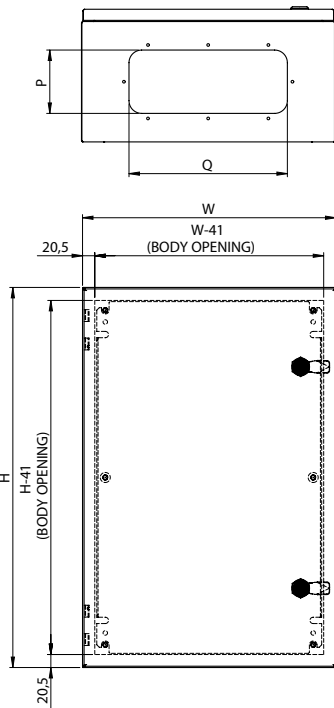
STANDARD PRODUCT, STAINLESS STEEL 304

Item number	Description	H [mm]	W [mm]	D [mm]	Door thickness [mm]	Body thickness [mm]	Material	Gland Plate	Q [mm]	P [mm]	Type	Conductive Mounting Plate
M300200120SSE	Wallmount StSt 304 IP66 door	300	200	120	1.2	1.2	304	NO	-	-		M300P200GE
M300200150SSE	Wallmount StSt 304 IP66 door	300	200	150	1.2	1.2	304	NO	-	-		M300P200GE
M300250150SSE	Wallmount StSt 304 IP66 door	300	250	150	1.2	1.2	304	NO	-	-		M300P250GE
M300250210SSE	Wallmount StSt 304 IP66 door	300	250	210	1.2	1.2	304	NO	-	-		M300P250GE
M300300120SSE	Wallmount StSt 304 IP66 door	300	300	120	1.2	1.2	304	NO	-	-		M300P300GE
M300300210SSE	Wallmount StSt 304 IP66 door	300	300	210	1.2	1.2	304	NO	-	-		M300P300GE
M300300210GSSE	Wallmount StSt 304 IP66 door with gland plate	300	300	210	1.2	1.2	304	YES	180	100	A	M300P300GE
M300400120SSE	Wallmount StSt 304 IP66 door	300	400	120	1.2	1.2	304	NO	-	-		M400P300GE
M300400210GSSE	Wallmount StSt 304 IP66 door with gland plate	300	400	210	1.2	1.2	304	YES	280	100	B	M400P300GE
M350300210SSE	Wallmount StSt 304 IP66 door	350	300	210	1.2	1.2	304	NO	-	-		M350P300GE
M400300150SSE	Wallmount StSt 304 IP66 door	400	300	150	1.2	1.2	304	NO	-	-		M400P300GE
M400300210GSSE	Wallmount StSt 304 IP66 door with gland plate	400	300	210	1.2	1.2	304	YES	180	100	A	M400P300GE
M400400210SSE	Wallmount StSt 304 IP66 door	400	400	210	1.2	1.2	304	NO	-	-		M400P400GE
M400400210GSSE	Wallmount StSt 304 IP66 door with gland plate	400	400	210	1.2	1.2	304	YES	280	100	B	M400P400GE
M400600210SSE	Wallmount StSt 304 IP66 door	400	600	210	1.2	1.2	304	NO	-	-		M600P400GE
M500400210SSE	Wallmount StSt 304 IP66 door	500	400	210	1.2	1.2	304	NO	-	-		M500P400GE
M500400210GSSE	Wallmount StSt 304 IP66 door with gland plate	500	400	210	1.2	1.2	304	YES	280	100	B	M500P400GE
M500500210GSSE	Wallmount StSt 304 IP66 door with gland plate	500	500	210	1.2	1.2	304	YES	380	100	C	M500P500GE
M500500300GSSE	Wallmount StSt 304 IP66 door with gland plate	500	500	300	1.2	1.2	304	YES	380	180	E	M500P500GE
M600400210SSE	Wallmount StSt 304 IP66 door	600	400	210	1.2	1.2	304	NO	-	-		M600P400GE
M600400210GSSE	Wallmount StSt 304 IP66 door with gland plate	600	400	210	1.2	1.2	304	YES	280	100	B	M600P400GE
M600400350GSSE	Wallmount StSt 304 IP66 door with gland plate	600	400	350	1.2	1.2	304	YES	280	180	D	M600P400GE
M600600210SSE	Wallmount StSt 304 IP66 door	600	600	210	1.5	1.5	304	NO	-	-		M600P600GE
M600600210GSSE	Wallmount StSt 304 IP66 door with gland plate	600	600	210	1.5	1.5	304	YES	380	100	C	M600P600GE
M600600300SSE	Wallmount StSt 304 IP66 door	600	600	300	1.5	1.5	304	NO	-	-		M600P600GE
M600600300GSSE	Wallmount StSt 304 IP66 door with gland plate	600	600	300	1.5	1.5	304	YES	380	180	E	M600P600GE
M600600350GSSE	Wallmount StSt 304 IP66 door with gland plate	600	600	350	1.5	1.5	304	YES	380	180	E	M600P600GE
M700500250GSSE	Wallmount StSt 304 IP66 door with gland plate	700	500	250	1.5	1.5	304	YES	380	100	C	M700P500GE
M800600210SSE	Wallmount StSt 304 IP66 door	800	600	210	2.0	1.5	304	NO	-	-		M800P600GE
M800600210GSSE	Wallmount StSt 304 IP66 door with gland plate	800	600	210	2.0	1.5	304	YES	380	100	C	M800P600GE
M800600250GSSE	Wallmount StSt 304 IP66 door with gland plate	800	600	250	2.0	1.5	304	YES	380	100	C	M800P600GE
M800600300SSE	Wallmount StSt 304 IP66 door	800	600	300	2.0	1.5	304	NO	-	-		M800P600GE
M800600300GSSE	Wallmount StSt 304 IP66 door with gland plate	800	600	300	2.0	1.5	304	YES	380	180	E	M800P600GE
M800600350GSSE	Wallmount StSt 304 IP66 door with gland plate	800	600	350	2.0	1.5	304	YES	380	180	E	M800P600GE
M800800210GSSE	Wallmount StSt 304 IP66 door with gland plate	800	800	210	2.0	1.5	304	YES	280	100	2xB	M800P800GE
M800800300GSSE	Wallmount StSt 304 IP66 door with gland plate	800	800	300	2.0	1.5	304	YES	280	180	2xD	M800P800GE
M1000800300SSE	Wallmount StSt 304 IP66 door	1000	800	300	2.0	1.5	304	NO	-	-		M1000P800GE
M1000800300GSSE	Wallmount StSt 304 IP66 door with gland plate	1000	800	300	2.0	1.5	304	YES	280	180	2xD	M1000P800GE
M1200800300GSSE	Wallmount StSt 304 IP66 door with gland plate	1200	800	300	2.0	1.5	304	YES	280	180	2xD	M1200P800GE



STANDARD PRODUCT, STAINLESS STEEL 304

Item number	Description	H [mm]	W [mm]	D [mm]	Door thickness [mm]	Body thickness [mm]	Material	Gland Plate	Q [mm]	P [mm]	Type	Conductive Mounting Plate
M300200150SS6E	Wallmount StSt 316L IP66 door	300	200	150	1.2	1.2	316L	NO	-	-		M300P200GE
M400300150SS6E	Wallmount StSt 316L IP66 door	400	300	150	1.2	1.2	316L	NO	-	-		M400P300GE
M400300210GSS6E	Wallmount StSt 316L IP66 door with gland plate	400	300	210	1.2	1.2	316L	YES	180	100	A	M400P300GE
M400400210SS6E	Wallmount StSt 316L IP66 door	400	400	210	1.2	1.2	316L	NO	-	-		M400P400GE
M400400210GSS6E	Wallmount StSt 316L IP66 door with gland plate	400	400	210	1.2	1.2	316L	YES	280	100	B	M400P400GE
M400600210SS6E	Wallmount StSt 316L IP66 door	400	600	210	1.2	1.2	316L	NO	-	-		M400P400GE
M500400210SS6E	Wallmount StSt 316L IP66 door	500	400	210	1.2	1.2	316L	NO	-	-		M500P400GE
M500400210GSS6E	Wallmount StSt 316L IP66 door with gland plate	500	400	210	1.2	1.2	316L	YES	280	100	B	M500P400GE
M500500210GSS6E	Wallmount StSt 316L IP66 door with gland plate	500	500	210	1.2	1.2	316L	YES	380	100	C	M500P500GE
M600400210SS6E	Wallmount StSt 316L IP66 door	600	400	210	1.2	1.2	316L	NO	-	-		M600P400GE
M600400210GSS6E	Wallmount StSt 316L IP66 door with gland plate	600	400	210	1.2	1.2	316L	YES	280	100	B	M600P400GE
M600600210SS6E	Wallmount StSt 316L IP66 door	600	600	210	1.5	1.5	316L	NO	-	-		M600P600GE
M600600210GSS6E	Wallmount StSt 316L IP66 door with gland plate	600	600	210	1.5	1.5	316L	YES	380	100	C	M600P600GE
M600600300SS6E	Wallmount StSt 316L IP66 door	600	600	300	1.5	1.5	316L	NO	-	-		M600P600GE
M600600300GSS6E	Wallmount StSt 316L IP66 door with gland plate	600	600	300	1.5	1.5	316L	YES	380	180	E	M600P600GE
M800600210SS6E	Wallmount StSt 316L IP66 door	800	600	210	1.5	2.0	316L	NO	-	-		M800P600GE
M800600210GSS6E	Wallmount StSt 316L IP66 door with gland plate	800	600	210	1.5	2.0	316L	YES	380	100	C	M800P600GE
M800600300SS6E	Wallmount StSt 316L IP66 door	800	600	300	1.5	2.0	316L	NO	-	-		M800P600GE
M800600300GSS6E	Wallmount StSt 316L IP66 door with gland plate	800	600	300	1.5	2.0	316L	YES	380	180	E	M800P600GE
M800800300SS6E	Wallmount StSt 316L IP66 door with gland plate	800	800	300	1.5	2.0	316L	YES	280	180	2xD	M800P800GE
M1000800300SS6E	Wallmount StSt 316L IP66 door	1000	800	300	1.5	2.0	316L	NO	-	-		M1000P800GE
M1000800300GSS6E	Wallmount StSt 316L IP66 door with GP	1000	800	300	1.5	2.0	316L	YES	280	180	2xD	M1000P800GE
M1200800300GSS6E	Wallmount StSt 316L IP66 door with GP	1200	800	300	1.5	2.0	316L	YES	280	180	2xD	M1200P800GE



WWW.PENTAIRPROTECT.COM

Pentair and Hoffman are owned by Pentair or its global affiliates. All other trademarks are the property of their respective owners.

©2017 Hoffman Enclosures Inc.