

Cable transducer

Analog output

Measuring length absolute 2.3 m and 4.7 m

GCA5 - analog



GCA5 analog

Technical data - electrical ratings

Voltage supply	8...30 VDC 12...30 VDC
Reverse polarity protection	Yes
Short-circuit proof	Yes
Consumption typ.	30 mA (24 VDC, w/o load, current output) 10 mA (24 VDC, w/o load, voltage output)
Initializing time	≤500 ms after power on
Interface	Analog 0...10 V / 0.5...4.5 V / 4...20 mA
Load resistor	Between Out/0 V ≥3 kΩ / voltage output 270 Ω at 10 VDC (500 Ω at 15 VDC) / current output
Function	Linear position feedback
Resolution	12 bit
Linearity	±1 % FS
Absolute accuracy	±1.8 % FS (+25 °C) ±2 % FS (-40...+85 °C)
Sensing method	Magnetic
Interference immunity	DIN EN 61000-6-2
Emitted interference	DIN EN 61000-6-3

Features

- Analog interface
- Magnetic sensing
- Operating temperature -40...+85 °C
- Protection IP 67
- Flange connector M12 or cable
- Measuring length 2.3 m and 4.7 m
- Designed for harsh environmental conditions
- Removable stickers for drainage

Optional

- Redundant version

Technical data - mechanical design

Protection DIN EN 60529	IP 67 (housing, drainage holes closed), IP 54 (cable inlet)
Materials	Cable: Stainless steel cable AISI 316 coated with nylon PA12 Housing: plastic
Operating temperature	-40...+85 °C
Measuring length	2.3 m 4.7 m
Cable diameter	0.9 mm
Cable fastening	Eyelet Height: 5 mm Internal diameter: 8 mm Outer diameter: 15 mm
Pull-in force	>1.5 N (pull-in force reduced at low temperatures)
Pull-out force	≤8 N
Relative humidity	95 % non-condensing
Resistance	DIN EN 60068-2-6 Vibration 10 g, 10-2000 Hz DIN EN 60068-2-27 Shock 50 g, 11 ms
Weight approx.	625 g
Connection	Cable 2 m, radial Flange connector M12, 5-pin Flange connector M12, 8-pin
Instruction	Please consider the assembly instructions

Cable transducer

Analog output

Measuring length absolute 2.3 m and 4.7 m

GCA5 - analog

Part number

GCA5-PM .RA . 0.A

Voltage supply / interface

- V3 8...30 VDC / Analog 0.5...4.5 VDC
- V6 12...30 VDC / Analog 0...10 VDC
- C0 12...30 VDC / Analog 4...20 mA
- R3 8...30 VDC / Analog 0.5...4.5 VDC redundant
- R6 12...30 VDC / Analog 0...10 VDC redundant
- R0 12...30 VDC / Analog 4...20 mA redundant

Connection

- L Cable radial, 2 m
- N Flange connector M12, 5-pin, radial, male contacts, CCW
- B Flange connector M12, 8-pin, radial, male contact, CCW redundant

Measuring range

- 023 2.3 m
- 047 4.7 m

Cable transducer

Analog output

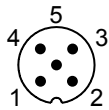
Measuring length absolute 2.3 m and 4.7 m

GCA5 - analog

Terminal assignment

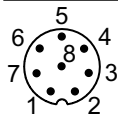
Flange connector M12, male, 5-pin

Pin	Signals	Description
1	0 V	Ground connection relating to +Vs
2	+Vs	Voltage supply
3	Uout/lout	Output
4	n.c.	Do not use
5	n.c.	Do not use



Flange connector M12, male, 8-pin, redundant version

Pin	Signals	Description
1	0 V1	Ground connection relating to +Vs1
2	+Vs1	Voltage supply 1
3	Uout1/lout1	Output 1
4	0 V2	Ground connection relating to +Vs2
5	+Vs2	Voltage supply 2
6	Uout2/lout2	Output 2
7	n.c.	Do not use
8	n.c.	Do not use



Cable

Core colour	Signals	Description
white	0 V	Ground connection relating to +Vs
brown	+Vs	Voltage supply
green	Uout/lout	Output

Cable data: 3 x 0.5 mm², 2 m

Cable redundant version

Core colour	Signals	Description
white	0 V1+2	Ground connection relating to +Vs1 and +Vs2
brown	+Vs1	Voltage supply 1
green	Uout1/lout1	Output 1
yellow	+Vs2	Voltage supply 2
grey	Uout2/lout2	Output 2

Cable data: 5 x 0.5 mm², 2 m

Cable transducer

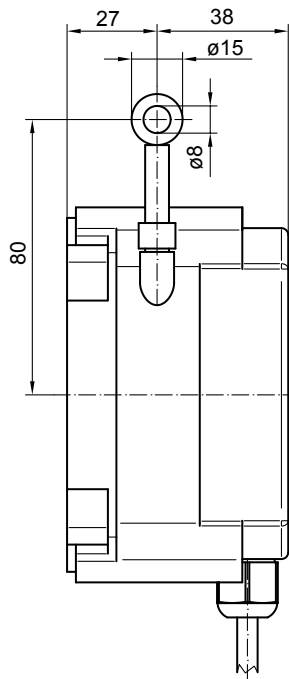
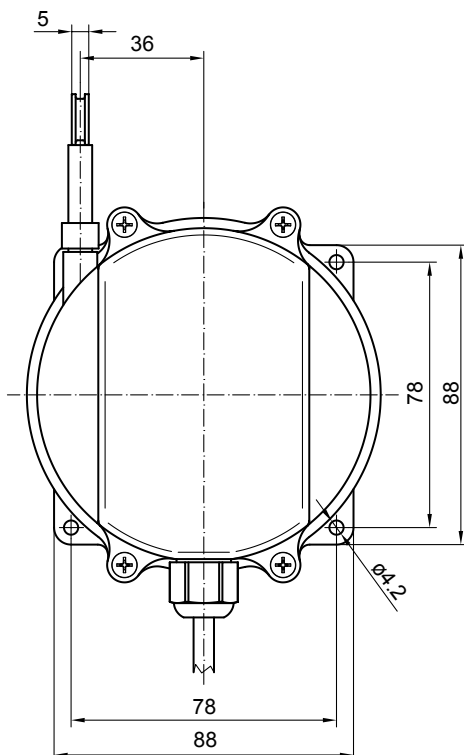
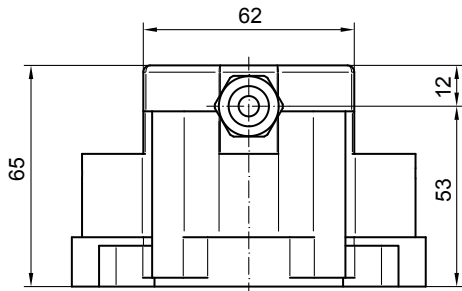
Analog output

Measuring length absolute 2.3 m and 4.7 m

GCA5 - analog

Dimensions

GCA5 with cable



Cable transducer

Analog output

Measuring length absolute 2.3 m and 4.7 m

GCA5 - analog

Dimensions

GCA5 with flange connector (male) M12

