

Characteristics

- Efficiency level VI
- Overload protection
- Overvoltage protection
- Continuously short circuit proof

Technical data

Input voltage	100 – 240 V ± 10 %
Frequency	50 – 60 Hz
Input current	120 mA (Article no. 1898582) 160 mA (Article no. 1897843) 250 mA (Article no. 1897730)
Leakage current	≤ 10 µA (FOX6-X-USB) ≤ 90 µA (FOX12-X-USB)
Output voltage tolerance	± 5 %
Turn-on delay	≤ 2 s
Stand-by	≤ 0.1 W
Efficiency (typ. full load)	≥ 76 % (FOX6-X-USB) ≥ 80 % (FOX12-X-USB)
MTBF	200.000 h

Environmental specifications

Operating temperature	0 – 45° C
Humidity	10 – 95 %
Storage temperature	-40 – 70° C
Operating altitude	2000 m

Safety specifications

Standards	IEC 60950, IEC 60065, IEC 60335
Approvals	EU, USA, AUS, JPN
Safety class	II
EMC	EN 55022, EN 55024

Mechanical data

Dimensions	55.0 x 31.5 x 41.0 mm (FOX6-X-USB) 75.0 x 31.5 x 41.0 mm (FOX12-X-USB)
Weight	50 g (FOX6-X-USB) 65 g (FOX12-X-USB)
Connectors	AC input: Interchangeable primary adapter system DC output: USB socket type A

Switchmode power supplies

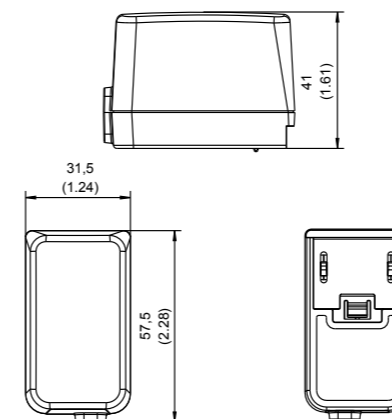
INDUSTRIAL / I. T. E.

with interchangeable adapter system.

All products conform to IEC 60950.

FOX6-X-USB

FW8002/USB

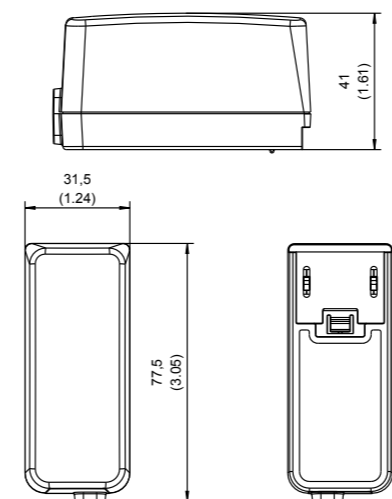


Alle Abmessungen in Millimeter (Inch), Abweichung ± 0,5 (0.02)
All Dimensions in Millimeter (Inch), Deviation ± 0,5 (0.02)

Output data			Worldwide
Voltage	Current	Ripple voltage	Article no.
5 V	1400 mA	80 mV pp	1897843
5 V	1000 mA	80 mV pp	1898582

FOX12-X-USB

FW8000/USB



Alle Abmessungen in Millimeter (Inch), Abweichung ± 0,5 (0.02)
All Dimensions in Millimeter (Inch), Deviation ± 0,5 (0.02)

Output data			Worldwide
Voltage	Current	Ripple voltage	Article no.
5 V	2200 mA	80 mV pp	1897730