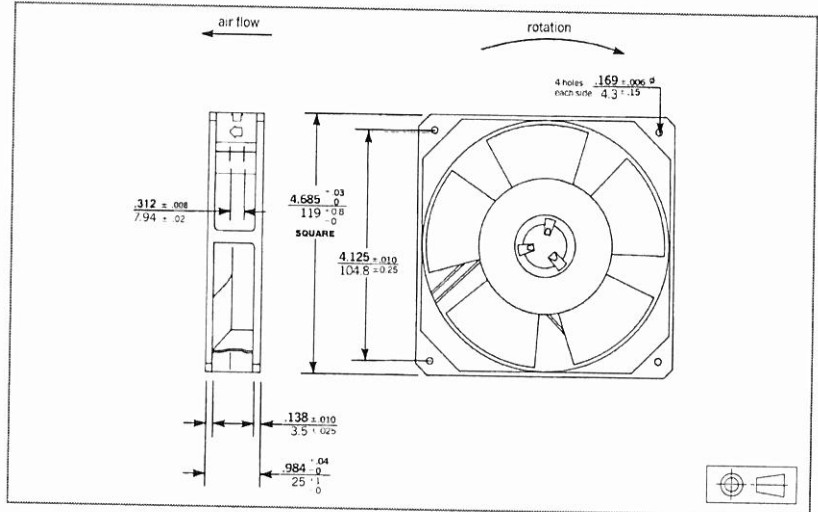


ETRI®

AC Axial Fans

Series
98

4.69" x 0.98" [120x120x25mm]



Approvals



GAM T1 listed

Life expectancy

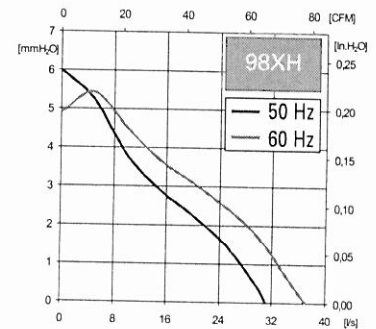
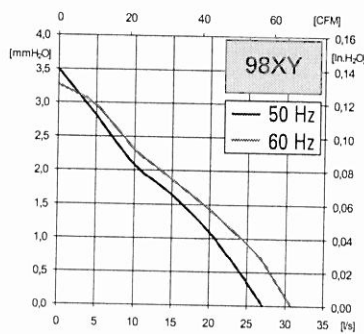
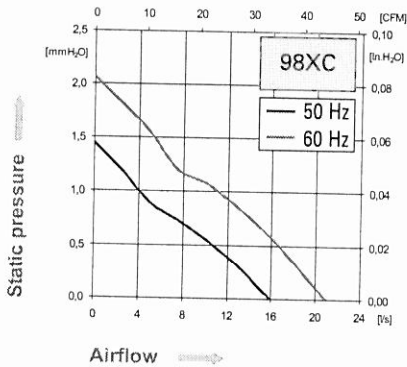
L-10 LIFE AT 40°C:
80 000 hours (ball bearings)
50 000 hours (sleeve bearings)

AC Motor

Electrical protection: impedance protected
Housing material: zamak
Impeller material: plastic UL 94 VO
Weight: 0,465 kg

Available with:

- speed sensor



Part number	Nominal voltage	Airflow	Noise level	Nominal speed	Frequency	Phases	Capacitor	Input power	Nominal current	Starting current	Bearing system		Connection type		Operating temperature	
	V	l/s	dB(A)	RPM	Hz						Leads	Terminals	Mn. °C	Max. °C		
98XC0182000	115	16	32	1300	50	1		12	130	150	X	Sleeve	Leads	X	-10	70
		21	35	1700	60						X					
98XC0181000	208-240	16	32	1300	50	1		10	110	130	X		Leads	X	-10	70
		21	35	1700	60						X					
98XY0182000	115	27	36	2100	50	1		10	120	140	X		Leads	X	-10	70
		31	38	2400	60						X					
98XY0181000	208-240	27	36	2100	50	1		9	100	120	X		Leads	X	-10	70
		31	38	2400	60						X					
98XH0182020	115	31	41	2550	50	1		10	55	65	X		Leads	X	-10	70
		37	44	3000	60						X					
98XH0181000	208-240	31	41	2550	50	1		15	80	100	X		Leads	X	-10	70
		37	44	3000	60						X					

Additional versions:

Shock and vibration protected -
Wide temperature range - Sleeve bearings

Accessories:

- Plastic filter P/N : F120/T102 and 120V
- Plastic finger guards P/N : PFG-120 and 121-53
- Rubber mounts P/N : AM-10
- Metal filters: 96-152 and 96-302
- Metal finger guard P/N : 9601-43
- Metal mesh filter P/N : 120-G