

Single Phase Transformer

Control and Isolation Transformers DIN & Screw mounted, EPD series Class II



Control, safety and isolating single-phase transformers with IP20 protection index .

For supply of high instantaneous power necessary for correct operation of contactors , switches and control equipments.

The EPD is designed for DIN- Rail and screw mounting.

There are a wide range of transformers in stock designed for:

Primary: 230V. Secondary: 24V

Primary: 400,440V. Secondary: 230V

All transformers/autotransformers can be manufactured with desired voltage range in small or serial volumes on request.

Technical specifications EPD Series:

isolation class II

Frequency 50/60Hz

Power 60VA - 440VA

Insulation class B

Ambient temperature 40°C

IP class 20

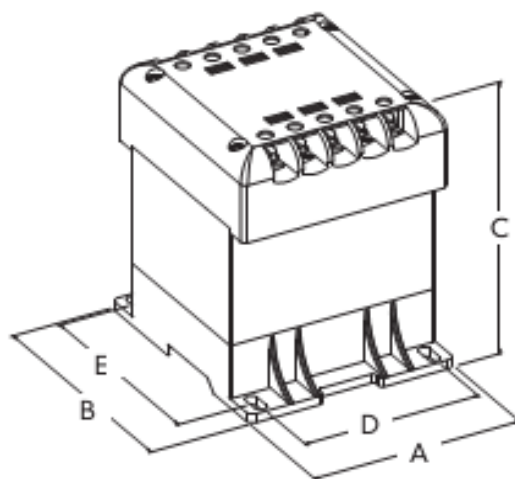
Manufactured according to standards:

EN 61558-2-2

EN 61558-2-4

EN 61558-2-6

Can be manufactured with UL1446 insulation system



Power	Primary: 230V, Secondary: 24V		Primary: 400/440V, Secondary :230V		Dimensions (mm)						
	Article number	E- number	Article Number	E- Number	A	B	C	D	E	Ø Hole	Weight
60VA	DT 22664-1	520 20 01	DT 22672-1	520 20 19	90	106	96	68,5	90	4,5	1,4kg
80VA	DT 22665-1	520 20 03	DT 22673-1	520 20 21	90	106	96	68,5	90	4,5	1,5kg
110VA	DT 22666-1	520 20 04	DT 22674-1	520 20 22	90	106	116	68,5	90	4,5	2,3kg
150VA	DT 22667-1	520 20 09	DT 22675-1	520 20 23	90	106	116	68,5	90	4,5	2,4kg
220VA	DT 22668-1	520 20 14	DT 22676-1	520 20 24	126	136	114	96	121	5,5	3,9kg
275VA	DT 22669-1	520 20 16	DT 22677-1	520 20 25	126	136	114	96	121	5,5	4,1kg
360VA	DT 22670-1	520 20 17	DT 22678-1	520 20 26	126	136	124	96	121	5,5	4,8kg
440VA	DT 22671-1	520 20 18	DT 22679-1	520 20 27	126	136	124	96	121	5,5	4,9kg

