

4

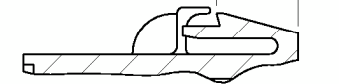
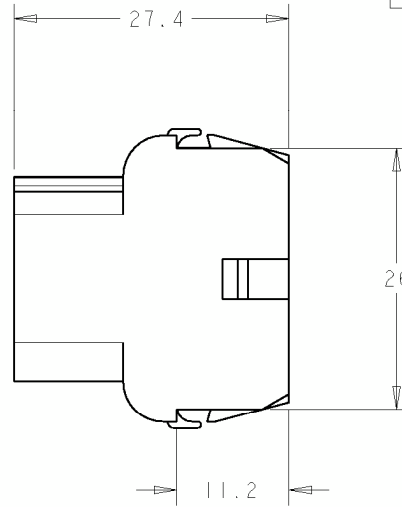
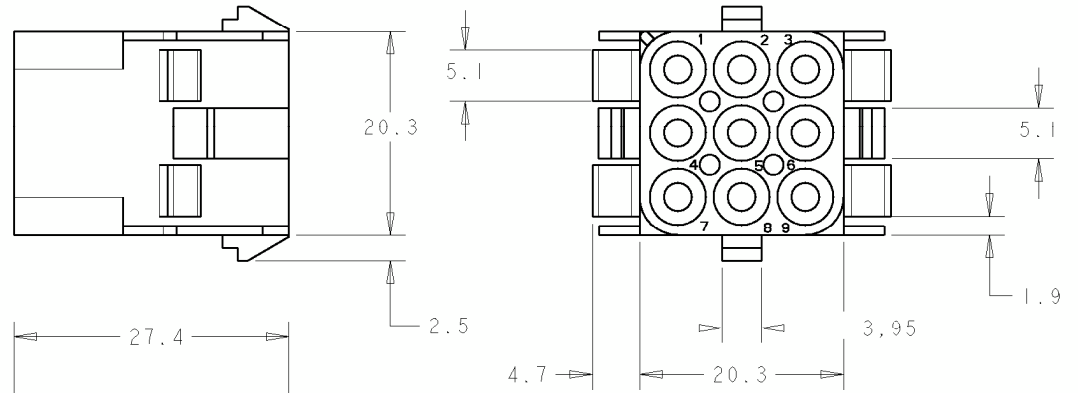
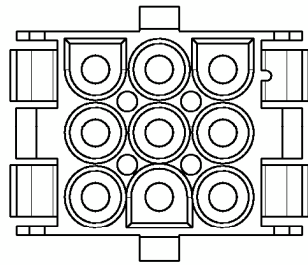
3

2

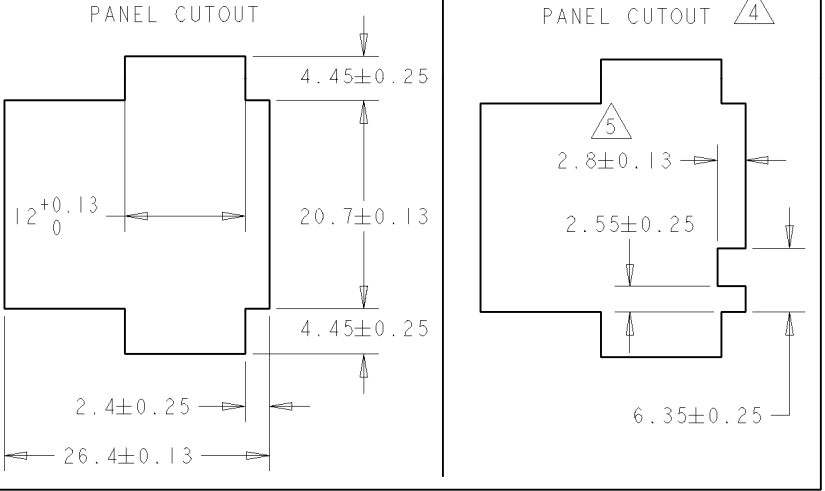
1

THIS DRAWING IS UNPUBLISHED. RELEASED FOR PUBLICATION  
© COPYRIGHT 20 BY TYCO ELECTRONICS CORPORATION. ALL RIGHTS RESERVED.

LOC	DIST	REVISIONS					
AL	I	P	LTR	DESCRIPTION	DATE	DWN	APVD
		F3		ECR-14-002737	24FEB2014	KKB	RRP



SECTION A-A



9 PRELIMINARY PART NOT RELEASED FOR PRODUCTION

- 1 SUITABLE FOR PIN AND FEMALE CONTACTS
- 2 RECOMMENDED SHEET METAL THICKNESS 0,75 - 2,3 mm.
- 3 HOUSING MUST BE INTRODUCED IN PUNCHING DIRECTION.

- 4 FOR CODED USING OF THE HOUSINGS
- 5 POSITION OF CAVITY 1 FOR CODED USING
- 6 NEW MATERIAL (PHOSPOR AND HALOGENEUS FREE).
- 7 GWT 750°C (WITHOUT FLAME) ACCORDING IEC 60335-1 EDITION 06/2001
- 8 MATERIAL WITH GWFI 850°C

927231-7	PA66 UL-94 V0	NATURAL
927231-6	PA6 UL-94 V0	NATURAL
927231-5	PA6 UL-94 V2	NATURAL
927231-4	PA66 UL-94 V0	WHITE
927231-3	PA66 UL-94 V0	NATURAL
927231-2	PA66 UL-94 V0	BLACK
927231-1	PA66 UL-94 V0	NATURAL
PN	MATERIAL	COLOUR

<small>THIS DRAWING IS A CONTROLLED DOCUMENT FOR TYCO ELECTRONICS CORPORATION IT IS SUBJECT TO CHANGE AND THE CONTROLLING ENGINEERING ORGANIZATION SHOULD BE CONTACTED FOR THE LATEST REVISION.</small>		DWN 05MAR2008 CHK J. SALO J. LAZARO 06MAR2008 APVD I. RATILLO 06MAR2008	TE Connectivity	
DIMENSIONS: mm 		PRODUCT SPEC 108-1031 APPLICATION SPEC 114-18011	NAME UMNL 9 WAY CAP HOUSING	
TOLERANCES UNLESS OTHERWISE SPECIFIED: 0 PLC ±0,2 1 PLC ±0,2 2 PLC ±0,2 3 PLC ± 4 PLC ANGLES ±		WEIGHT - CUSTOMER DRAWING	SIZE A3 CAGE CODE 00779 DRAWING NO 927231	RESTRICTED TO - SHEET 1 OF 1 REV F3