

EAR-007 & EAR-008 MODELS

ENCODER SIGNAL SPLITTERS

The incremental encoder splitter is a data interface that is designed to address two different motion controllers at same time. The splitter can manage inputs from TTL/RS422, sine 1Vpp and HTL encoders signals, and deliver these in two selectable outputs HTL or TTL/RS422, giving the possibility to share the signals with two industrial grades of different motion controllers types (drive, display, PLC, etc.). Moreover, used in conjunction with 11-30V / RS422 data interface encoders, the splitter can then be integrated into very long cables process loop between sensing and motion controllers; thanks to the use of a 11-30V power supply for the encoders, the voltage drops concerns with long cables are solved, and it avoids the use of specific cables needed for long distances.



Features

- Usable with standard incremental encoders
- Supplies power to encoder from 11 V to 30V
- Reduces cabling cost
- Avoids need of encoder redundancy
- Permits to address signal to 2 different motion devices

Applications


- Steel, Paper, Glass, Mills Industries
- Conveyors
- Motor feedback

SPECIFICATIONS

Mechanical

	EAR-007	EAR-008
Housing Material	Polyamid, grey color	
Dimensions (W x H x D)	22.5 x 108 x 114.5mm	
Fixing mode	DIN rail	
Weight	140g	

Electrical

	EAR-007	EAR-008
Splitter power supply +Vin	11-30Vdc  250mA (*)	
Encoder power supply	+Vin, 200mA max.	
Max encoder frequency	300kHz	
Encoder input	TTL/RS422 or sine 1Vpp	HTL
Output 1	Selectable: TTL/RS422 or HTL	
Output 2	Selectable: TTL/RS422 or HTL	
Input connection from encoder	Terminal connector	
Outputs connection to controllers	Terminal blocks	

Environmental & Standards Conformity

Protection (EN 60529)	IP20
Humidity (EN 60068-2-38)	93% @ 65°C for electronics (Housing may show mechanical deformations when cumulating high humidity with high temperature cycles)
Shock (EN60068-2-27)	300m.s ⁻² (during 11 ms)
Vibration (EN60068-2-6)	Amplitude 3.5 mm or acceleration 50 m.s ⁻² (10 ... 200 Hz)
Operating temperature	-20°C to +65°C
Storage temperature	-20°C to +70°C
EMC Immunity Test	EN 61000-6-2:2016
EMC Emission Test	EN 61000-6-4:2018
Isolation	500 Veff

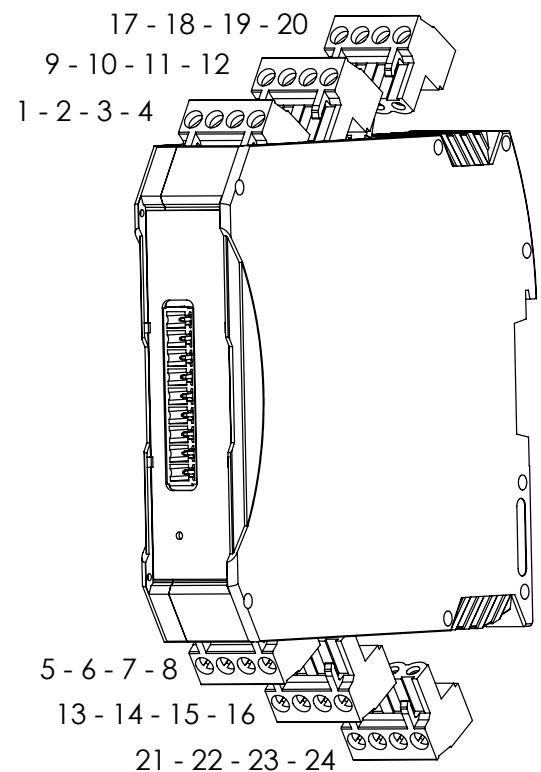
Electrical Connections

9 poles connector	
PIN	SIGNAL
9	Encoder A
8	Encoder A/
7	Encoder B
6	Encoder B/
5	Encoder Z
4	Encoder Z/
3	Vin
2	0V
1	Shield

Terminal blocks	
PIN	SIGNAL
1	Unit power supply Vin : 11-30V
4	Unit power supply : 0V
2	OUT1_Z
3	OUT1_Z/
9	OUT1_A
10	OUT1_A/
11	OUT1_B
12	OUT1_B/
17	Pin 18 & 17 strapped : OUT1 interface = RS422 Pin 18 & 19 strapped : OUT1 interface = HTL
18	
19	
20	Cable Shield
5	Unit power supply Vin : 11-30V (*)
8	Unit power supply : 0V (*)
6	OUT2_Z
7	OUT2_Z/
13	OUT2_A
14	OUT2_A/
15	OUT2_B
16	OUT2_B/
21	Pin 22 & 21 strapped : OUT2 interface = RS422 Pin 22 & 23 strapped : OUT2 interface = HTL
22	
23	
24	Cable Shield

(*) PIN1 and PIN5 internally connected

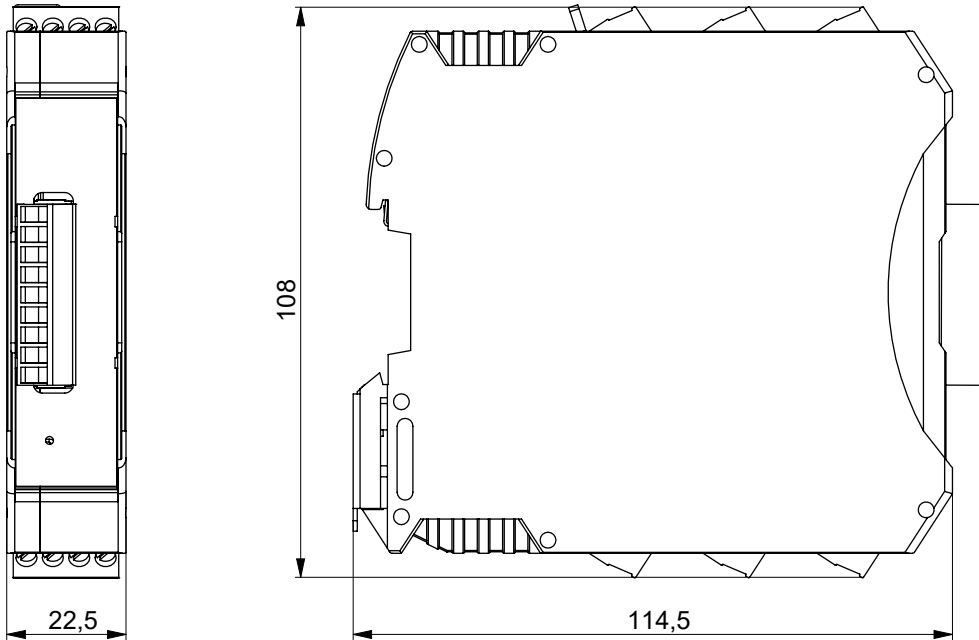
(*) PIN4 and PIN8 internally connected





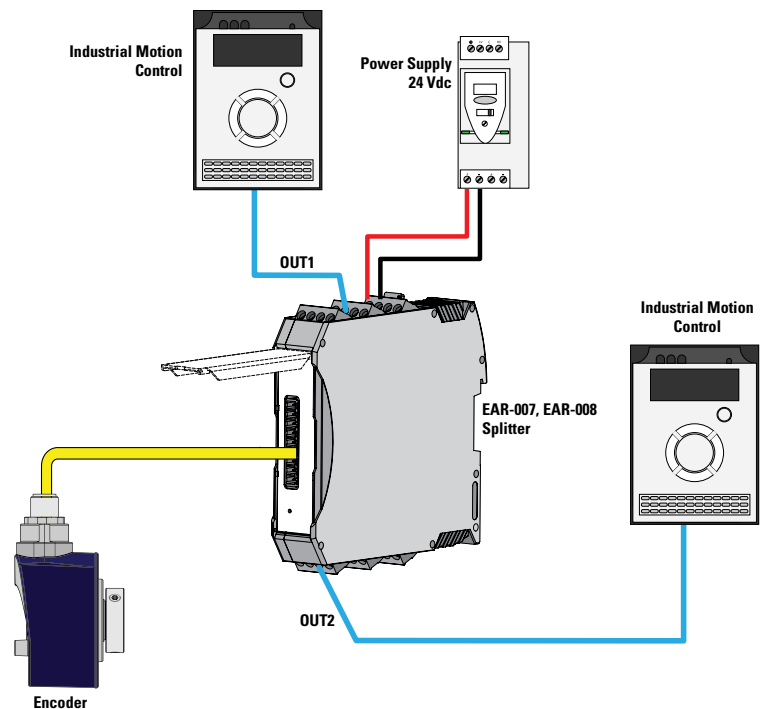
DIMENSIONS

Dimensions are in millimeters



INSTALLATION

1. Clip the splitter on the DIN rail.
2. Check the power supply is switched off and make the terminal blocks electrical connections per wiring table printed on the product.
3. Check or configure the jumpers' positions.
4. Power on the devices.





GENERAL NOTES

For a safe installation according to the required level needed in the application, refer to the User Manual. The User Manual provides the technical information (drawings, electrical data, etc...) for a safe integration.



ORDERING OPTIONS

Example : EAR-007



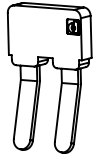
007: Splitter for TTL/RS422 or sine 1Vpp encoder interface
008: Splitter for HTL encoder interface



AGENCY APPROVALS & CERTIFICATIONS



ACCESSORIES

Description	Part Number
Jumper (Included) 	8213/105

Sensata Technologies, Inc. ("Sensata") data sheets are solely intended to assist designers ("Buyers") who are developing systems that incorporate Sensata products (also referred to herein as "components"). Buyer understands and agrees that Buyer remains responsible for using its independent analysis, evaluation and judgment in designing Buyer's systems and products. Sensata data sheets have been created using standard laboratory conditions and engineering practices. Sensata has not conducted any testing other than that specifically described in the published documentation for a particular data sheet. Sensata may make corrections, enhancements, improvements and other changes to its data sheets or components without notice.

Buyers are authorized to use Sensata data sheets with the Sensata component(s) identified in each particular data sheet. HOWEVER, NO OTHER LICENSE, EXPRESS OR IMPLIED, BY ESTOPPEL OR OTHERWISE TO ANY OTHER SENSATA INTELLECTUAL PROPERTY RIGHT, AND NO LICENSE TO ANY THIRD PARTY TECHNOLOGY OR INTELLECTUAL PROPERTY RIGHT, IS GRANTED HEREIN. SENSATA DATA SHEETS ARE PROVIDED "AS IS". SENSATA MAKES NO WARRANTIES OR REPRESENTATIONS WITH REGARD TO THE DATA SHEETS OR USE OF THE DATA SHEETS, EXPRESS, IMPLIED OR STATUTORY, INCLUDING ACCURACY OR COMPLETENESS. SENSATA DISCLAIMS ANY WARRANTY OF TITLE AND ANY IMPLIED WARRANTIES OF MERCHANTABILITY, FITNESS FOR A PARTICULAR PURPOSE, QUIET ENJOYMENT, QUIET POSSESSION, AND NON-INFRINGEMENT OF ANY THIRD PARTY INTELLECTUAL PROPERTY RIGHTS WITH REGARD TO SENSATA DATA SHEETS OR USE THEREOF.

All products are sold subject to Sensata's terms and conditions of sale supplied at www.sensata.com SENSATA ASSUMES NO LIABILITY FOR APPLICATIONS ASSISTANCE OR THE DESIGN OF BUYERS' PRODUCTS. BUYER ACKNOWLEDGES AND AGREES THAT IT IS SOLELY RESPONSIBLE FOR COMPLIANCE WITH ALL LEGAL, REGULATORY AND SAFETY-RELATED REQUIREMENTS CONCERNING ITS PRODUCTS, AND ANY USE OF SENSATA COMPONENTS IN ITS APPLICATIONS, NOTWITHSTANDING ANY APPLICATIONS-RELATED INFORMATION OR SUPPORT THAT MAY BE PROVIDED BY SENSATA.

Mailing Address: Sensata Technologies, Inc., 529 Pleasant Street, Attleboro, MA 02703, USA.

CONTACT US

Americas
+1 (800) 350 2727 – Option 1
sales.beisensors@sensata.com
Europe, Middle East & Africa
+33 (3) 88 20 8080
position-info.eu@sensata.com
Asia Pacific
sales.isasia@list.sensata.com
China +86 (21) 2306 1500
Japan +81 (45) 277 7117
Korea +82 (31) 601 2004
India +91 (80) 67920890
Rest of Asia +886 (2) 27602006
ext 2808