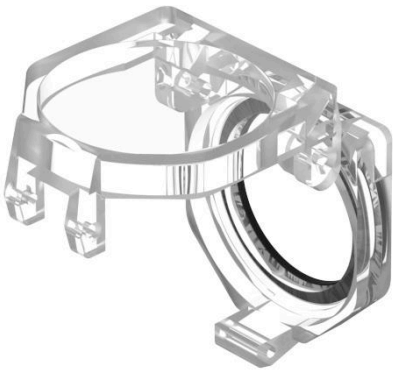


EAO – Your Expert Partner for Human Machine Interfaces

704.925.3 - Protection cover

704.925.3 - Protection cover



Attention: The preview is based on a sample product. This can differ from your current configuration.

Attribute

Weight	0.007 kg
Material	Plastic
Optics	transparent
Operating Voltage/Current	

EAO – Your Expert Partner for Human Machine Interfaces

704.925.3 - Protection cover

Dimensions

