

Data sheet

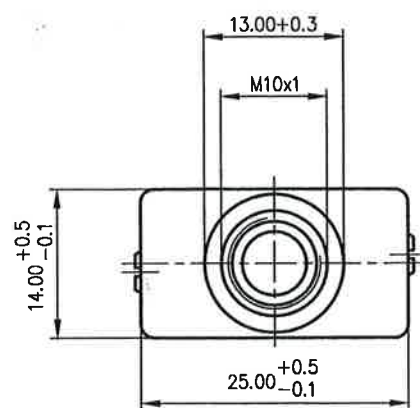
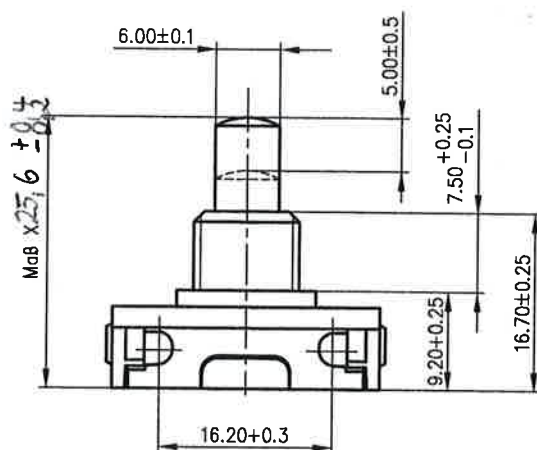
Article Description

Article picture

Push-button Switch Type 3030

2(1) A, 250 V~, on-off-switch, 1-pole, T 85° C,
screwed on bell-shaped nut

- for cables H03VV-F 2 x 0,75 mm²,
H03VV-F 3G 0,75 mm², H03VVH2-F 2 x 0,75 mm²
- central fitting M 10 x 1 mm
- screw terminals (Suitability for terminals for
connecting unprepared conductors)
- degree of pollution: 2
- switching cycles: 1E4 (10.000)
- switching characteristics: complete shutdown
- Comparative of Creepage
proof tracking index (PTI): 175 V
- rated value of
impulse withstand voltage: 2,5 kV U (imp)



<i>inter BÄR-item</i>	<i>Colour button</i>	<i>thread lenght</i>
3030-201.	white	7,5 mm

Technical modifications reserved!

Works at 230 V-mains must only be carried out by a specialist!