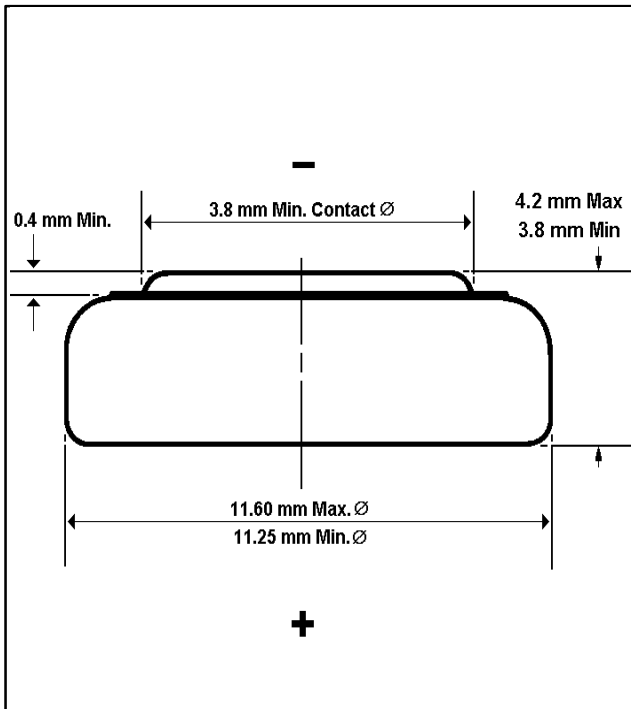


Alkaline Manganese Dioxide Battery



SPECIFICATIONS

Minimum No Load Voltage:	1.5 V
Minimum On Load Voltage:	1.2V on 50Ohms at 300

Minimum Life	320 H 6.8k Ohms Hr/Day 1.2 V
---------------------	---------------------------------

Rated Capacity	105 mAh on 6.8kOhms to .8V
-----------------------	-------------------------------

Volume	.44 cm ³
---------------	---------------------

Weight	1.5g
---------------	------

Physical Size in mm	Max	Min
Height/Length	3.8	4.2
Width/Diameter	11.6	11.25
Depth		

Typical Discharge Characteristics

