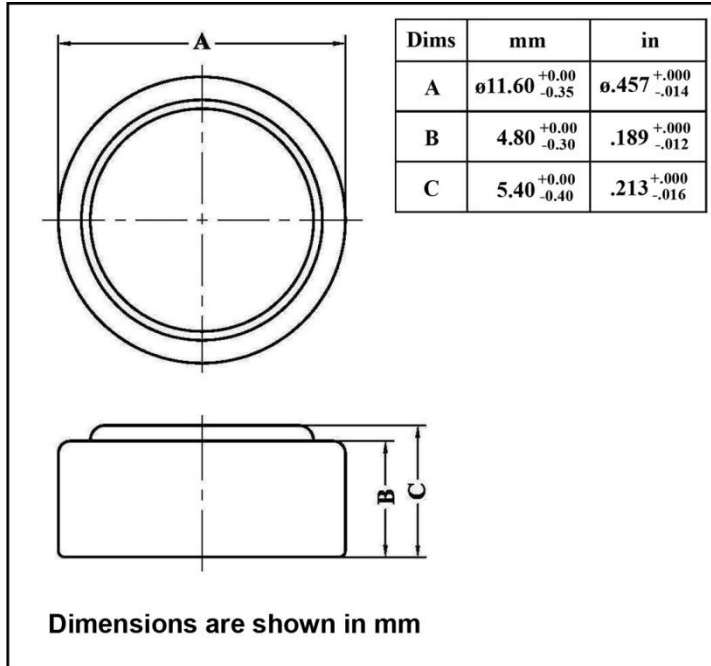


DURACELL®

76A/LR44

Zinc/Manganese Dioxide Battery

Zn/MnO₂



SPECIFICATIONS

Nominal Voltage: 1.5 V

Rated Capacity: 105 mAh on
6.8 kΩ to 1.2 V

Average Weight: 1.98 g (0.070 oz.)

Terminals: Flat

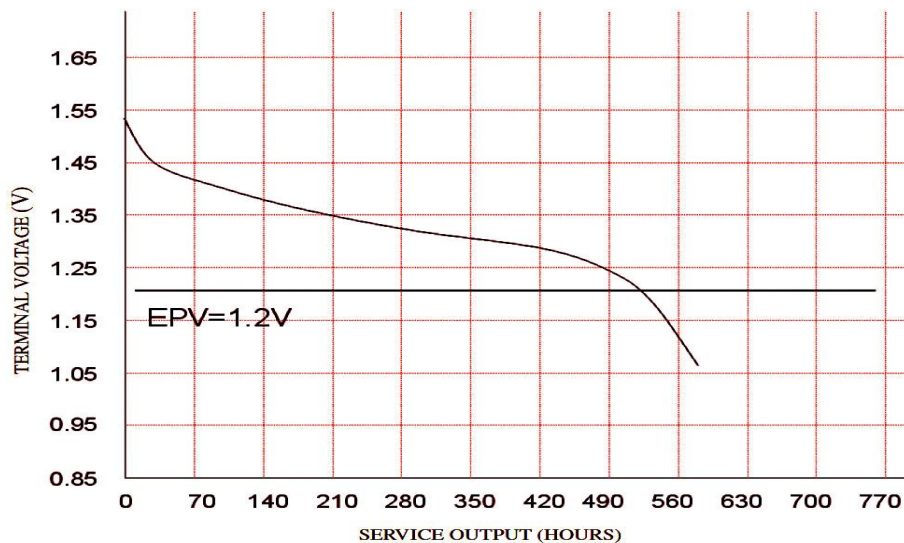
Operating Temp. Range: -20°C – 54°C
(-4°F – 130°F)

NEDA/ANSI: 1166A

IEC: LR44

Discharge Characteristics

6.8 kΩ load for 24 hrs/day to 1.2V



DURACELL®

BATTERIES

Berkshire Corporate Park Bethel,
CT. 06801 U.S.A.
Telephone: Toll-free 1-800-544-5454
www.duracell.com

Delivered capacity is dependent on the applied load, operating temperature and cut-off voltage. Please refer to the charts and discharge data shown for examples of the energy/service life that the battery will provide for various load conditions.